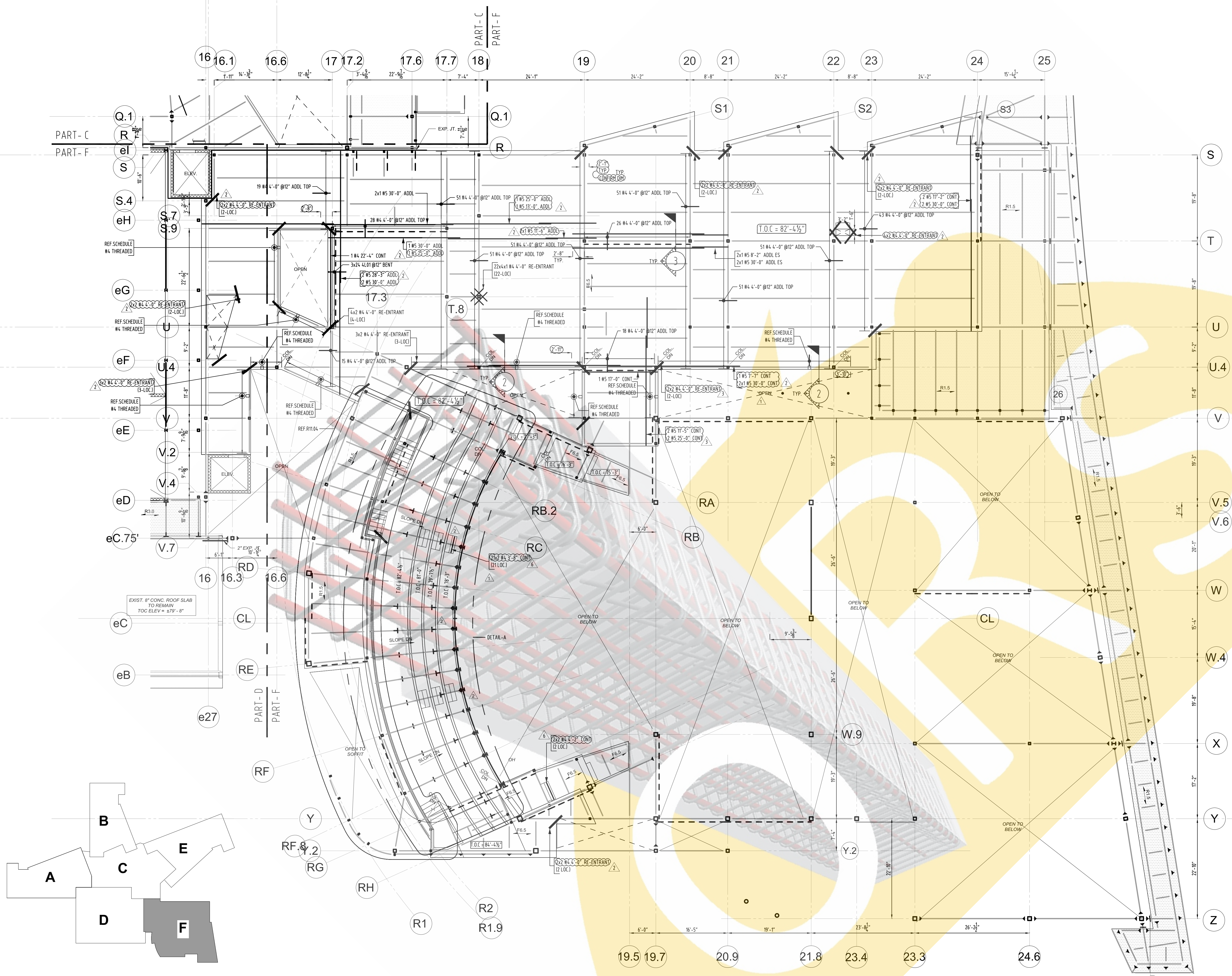


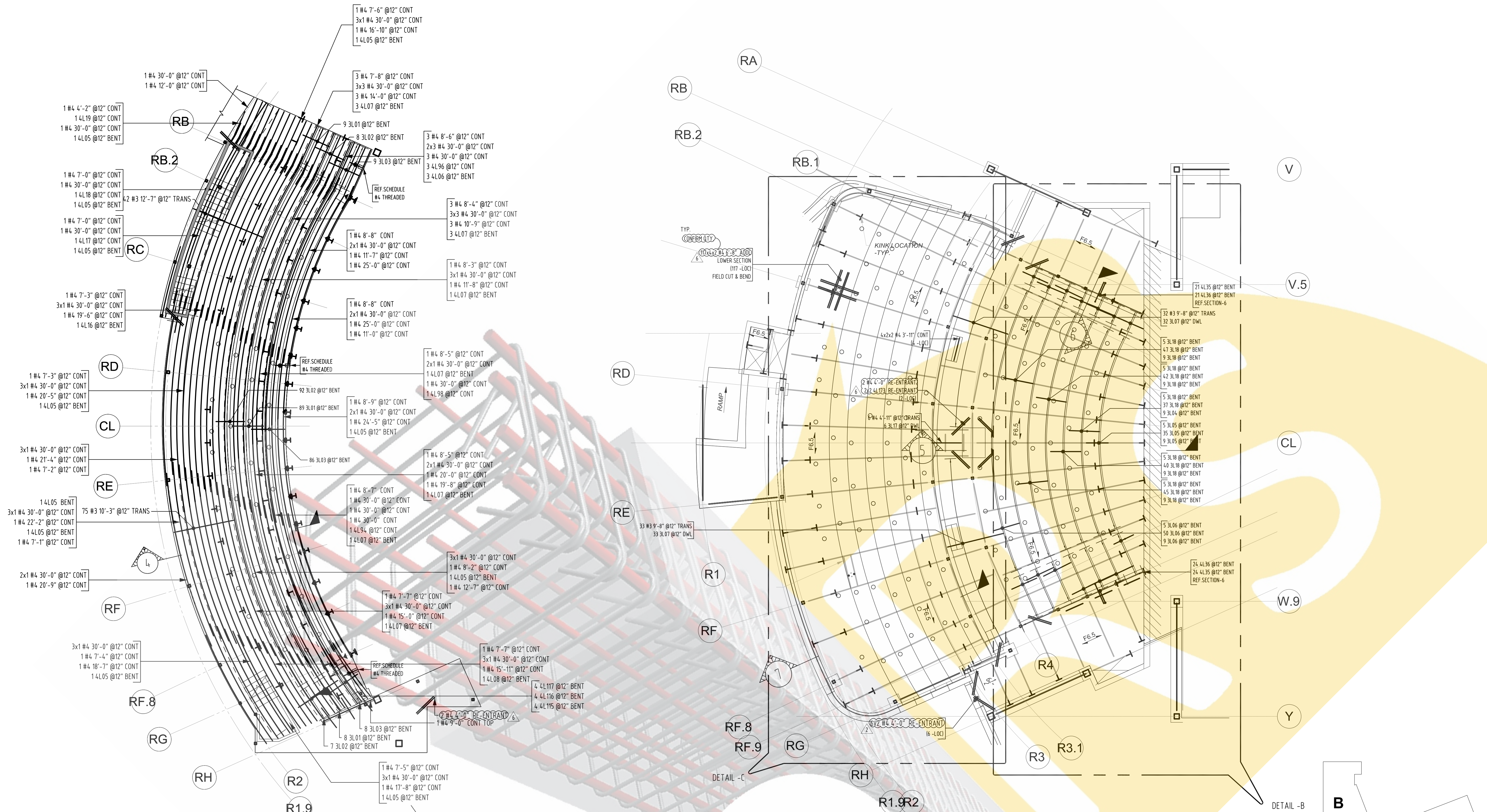
# ONCE REBAR SERVICES



PART - F SLAB ON DECK REBAR LAYOUT - 2nd FLOOR  
SCALE: 1/10"=1'-0"  
SDR: S221

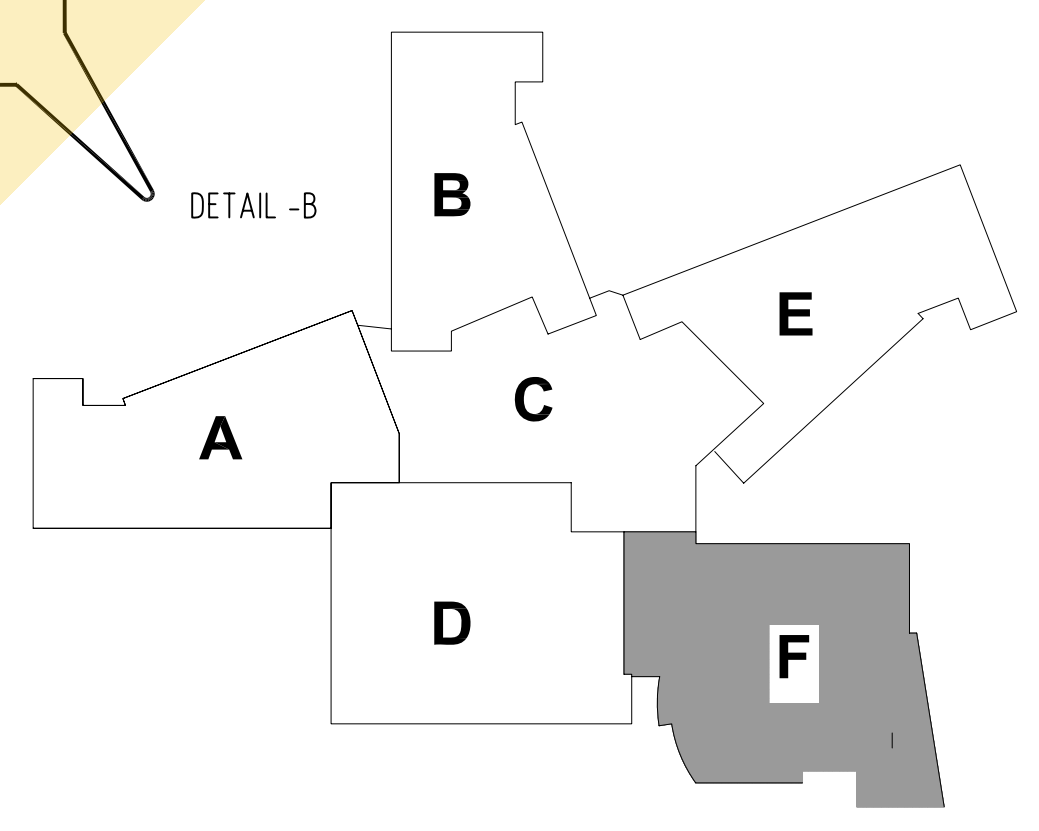
KEY PLAN  
SCALE: NTS





DETAIL-A  
SCALE: 1/8"=1'-0"  
SDR: S2.21

PART - F SLAB ON DECK REBAR LAYOUT - FIRST FLOOR  
SCALE: 1/8"=1'-0"  
SDR: S2.11.2

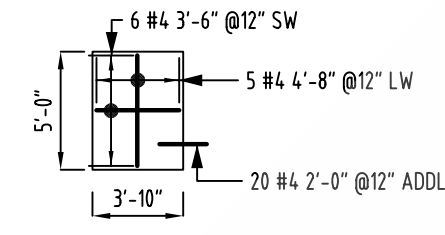


KEY PLAN  
SCALE: N.T.S.

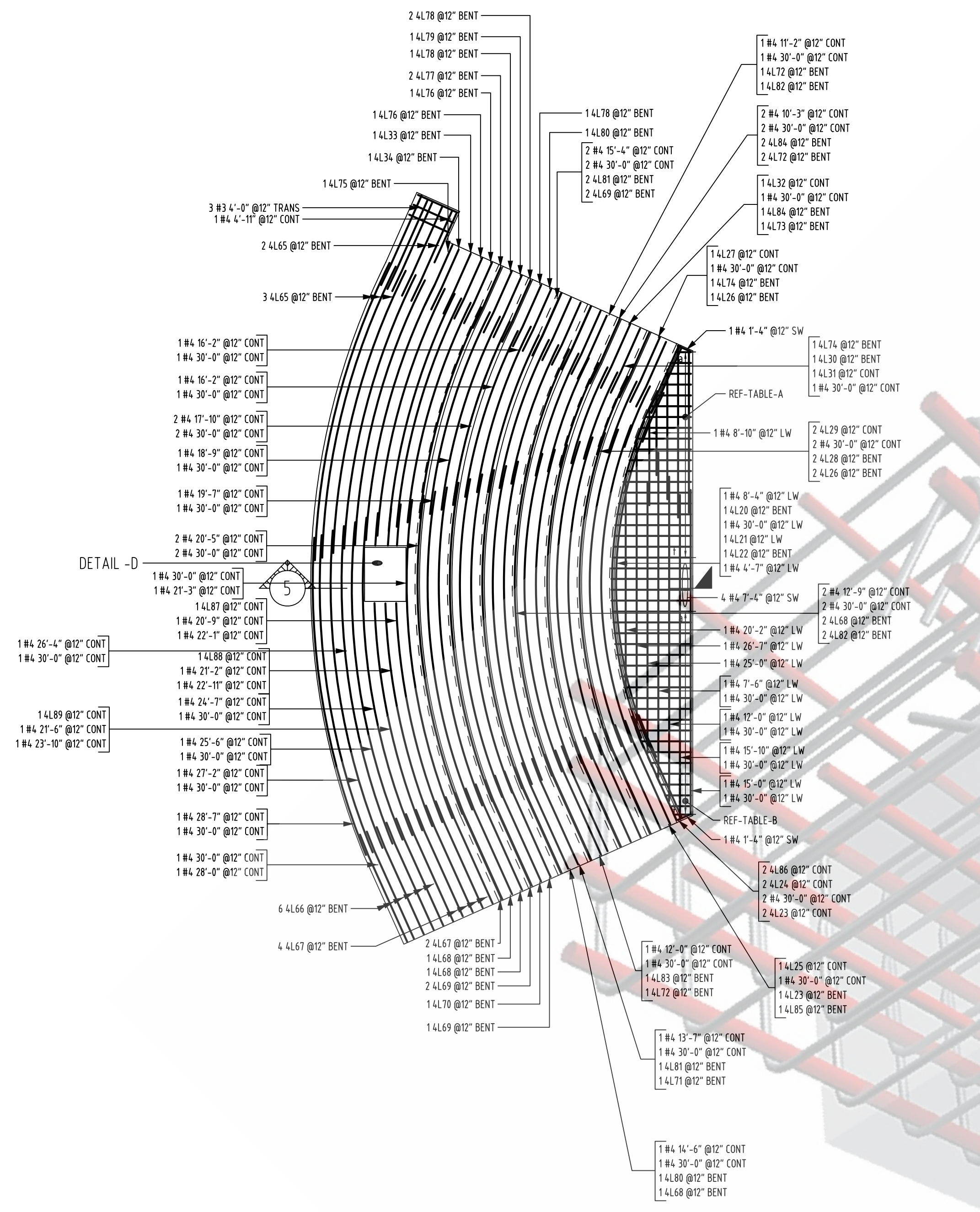
ONCE REBAR SERVICES



# ONCE REBAR SERVICES



DETAIL -D



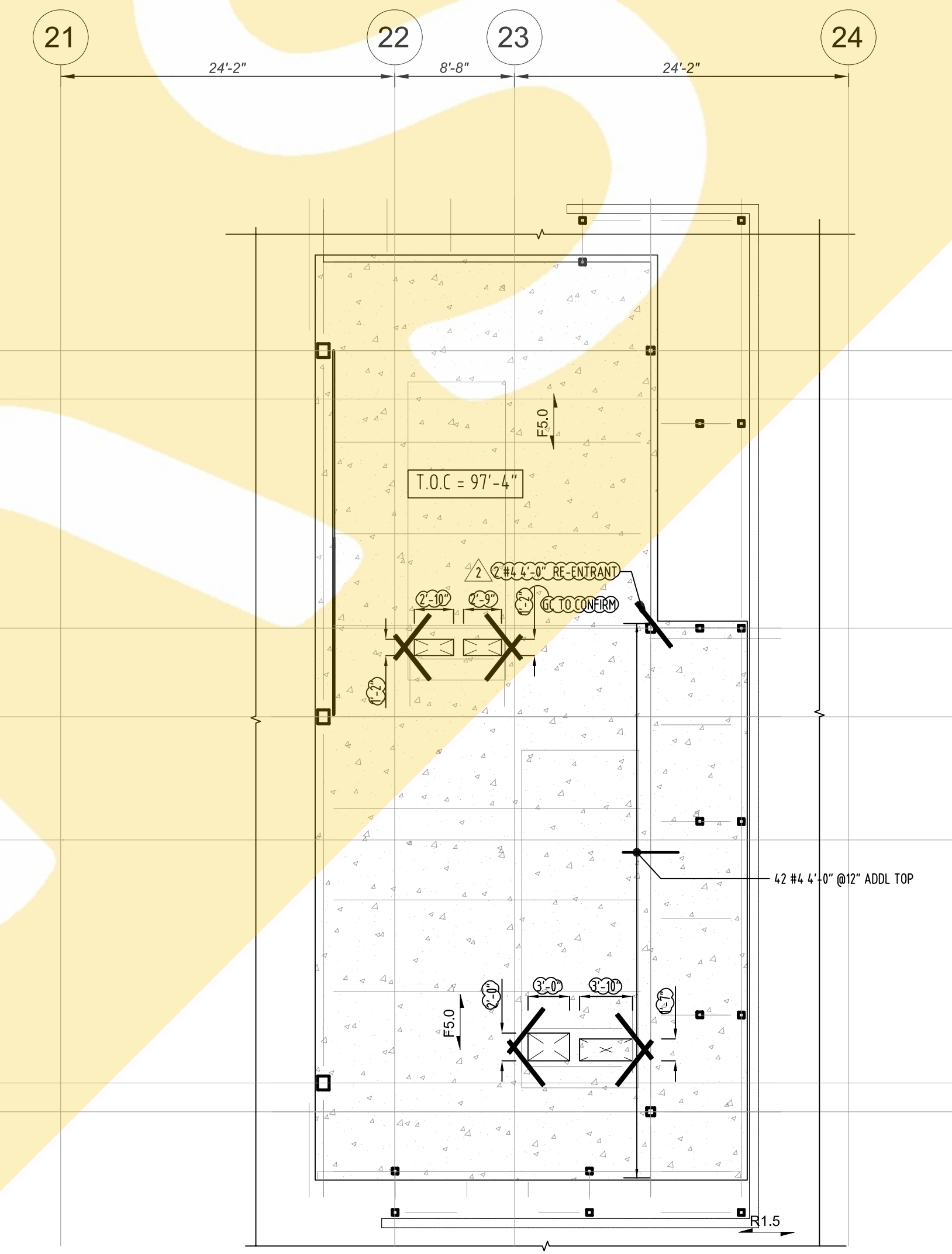
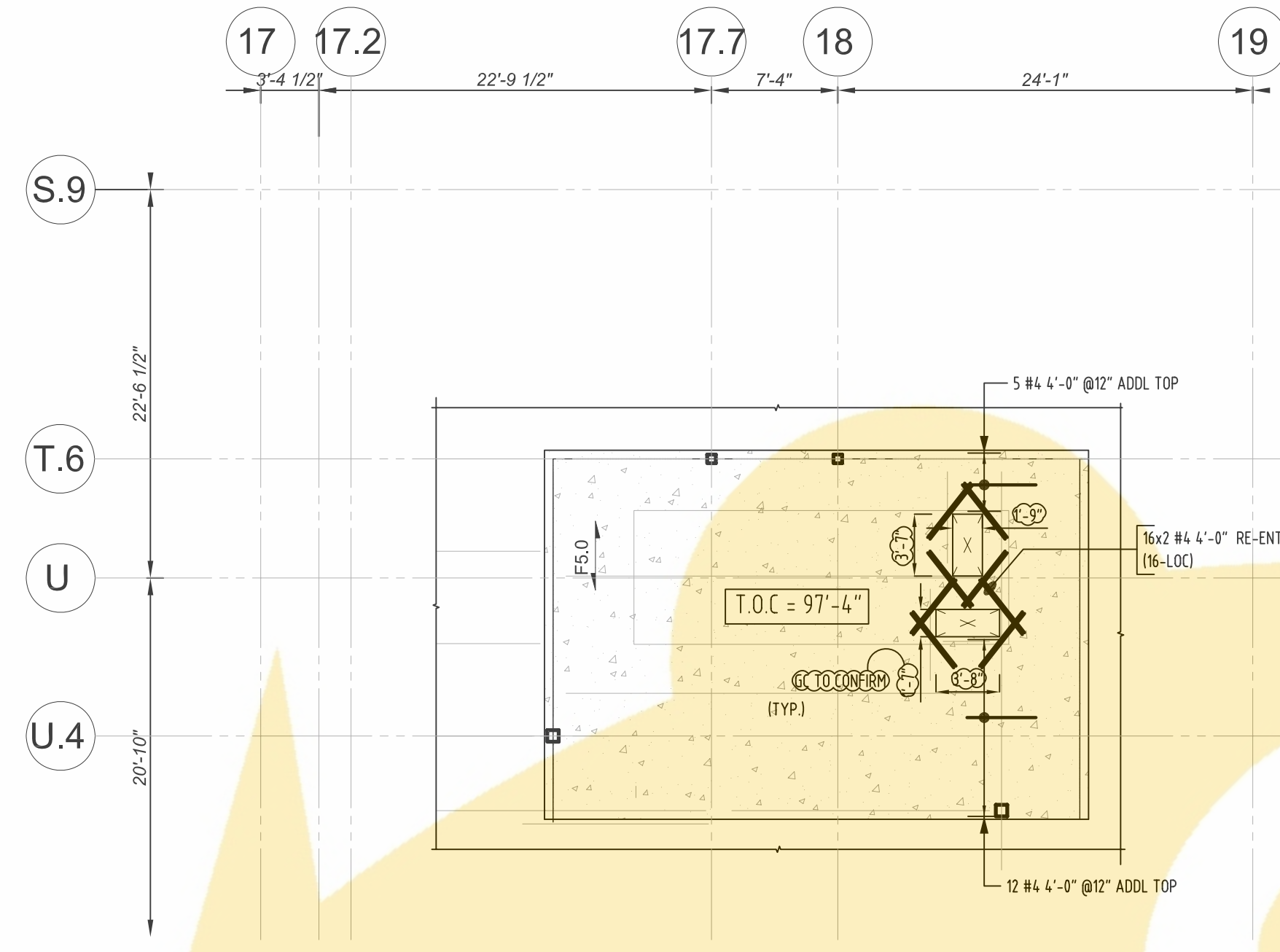
DETAIL -B  
SCALE: 1/8"=1'-0"  
SDR: 52.31

TABLE - A

a	1 #4 1'-5" @12" SW
b	1 #4 1'-11" @12" SW
c	1 #4 2'-4" @12" SW
d	1 #4 2'-9" @12" SW
e	1 #4 3'-3" @12" SW
f	1 #4 3'-9" @12" SW
g	1 #4 4'-2" @12" SW
h	1 #4 4'-7" @12" SW
i	1 #4 5'-0" @12" SW
j	1 #4 5'-4" @12" SW
k	1 #4 5'-8" @12" SW
l	1 #4 5'-11" @12" SW
m	1 #4 6'-3" @12" SW
n	1 #4 6'-5" @12" SW
o	1 #4 6'-8" @12" SW
p	1 #4 6'-10" @12" SW
q	1 #4 7'-0" @12" SW
r	1 #4 7'-1" @12" SW
s	1 #4 7'-2" @12" SW
t	1 #4 7'-3" @12" SW

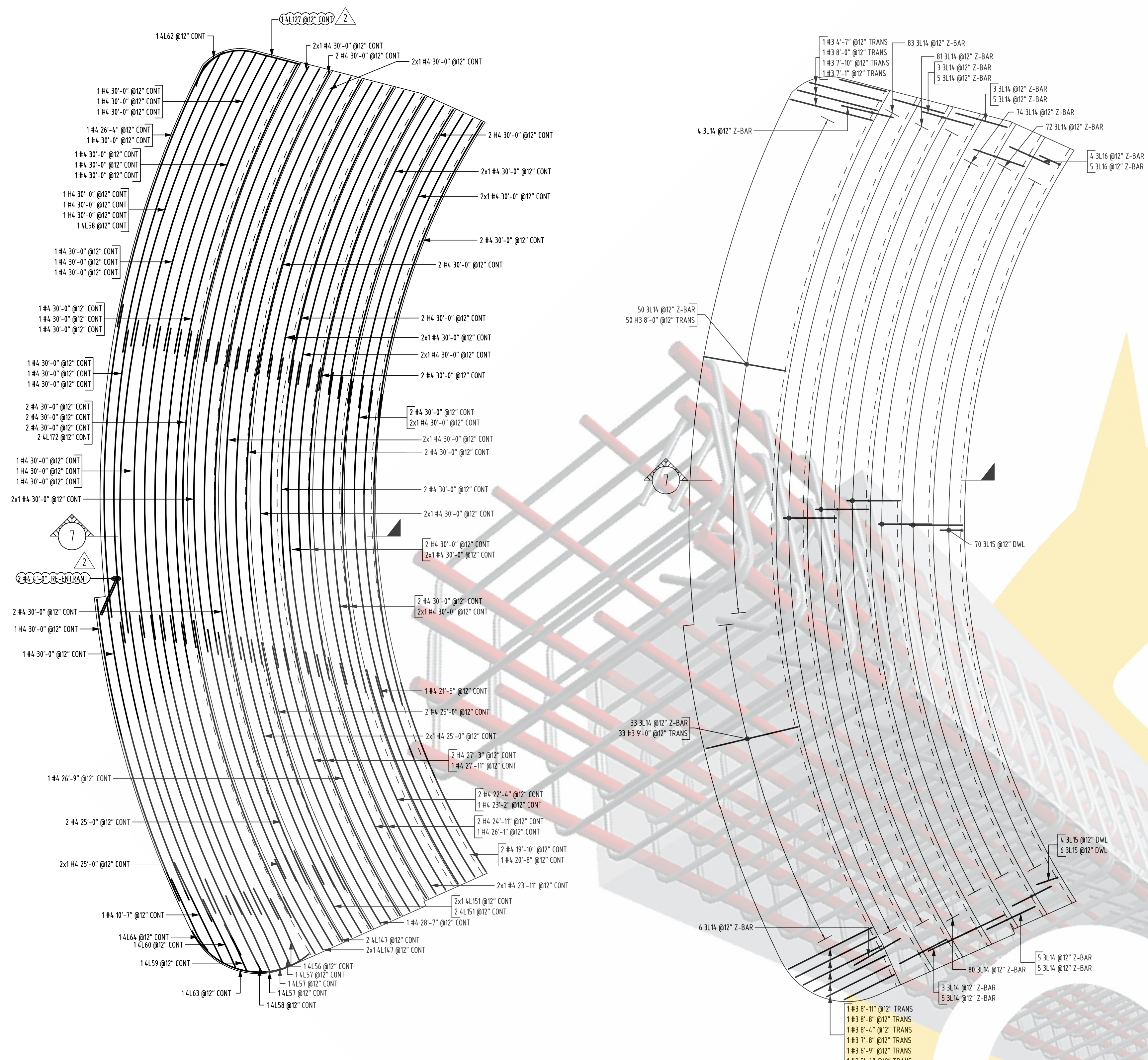
TABLE - B

a	1 #4 7'-3" @12" SW
b	1 #4 7'-2" @12" SW
c	1 #4 7'-1" @12" SW
d	1 #4 7'-0" @12" SW
e	1 #4 6'-10" @12" SW
f	1 #4 6'-7" @12" SW
g	1 #4 6'-5" @12" SW
h	1 #4 6'-2" @12" SW
i	1 #4 5'-10" @12" SW
j	1 #4 5'-7" @12" SW
k	1 #4 5'-3" @12" SW
l	1 #4 4'-11" @12" SW
m	1 #4 4'-6" @12" SW
n	1 #4 4'-0" @12" SW
o	1 #4 3'-7" @12" SW
p	1 #4 3'-1" @12" SW
q	1 #4 2'-8" @12" SW
r	1 #4 2'-3" @12" SW
s	1 #4 1'-9" @12" SW
t	1 #4 1'-5" @12" SW



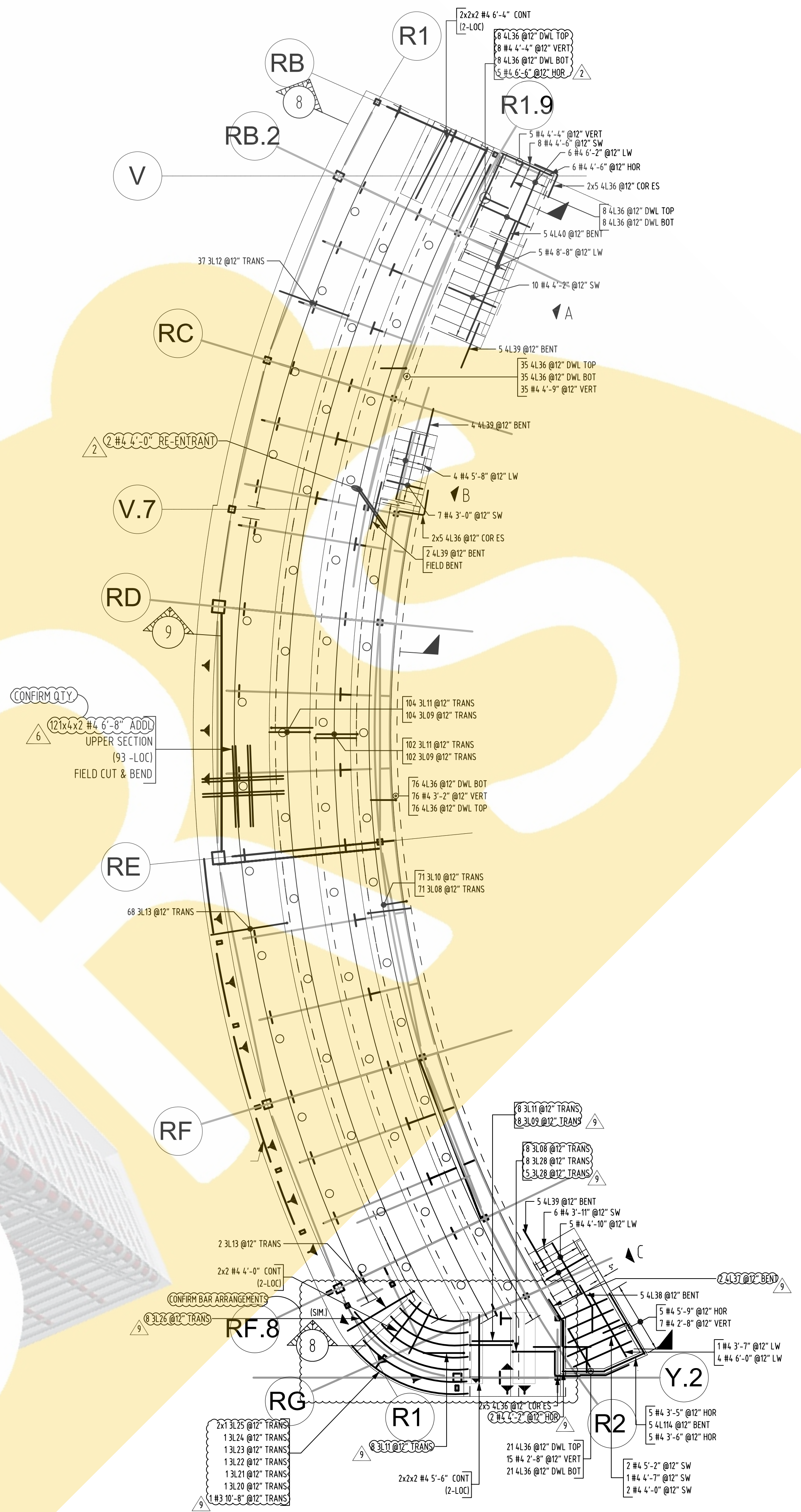
PART F SOD REBAR LAYOUT -ROFF LEVEL N  
SCALE: 1/8"=1'-0"  
SDR: 52.31





**DETAIL - C**  
SCALE - 1/8"=1'-0"  
SDR: 52.11.2

**DETAIL - C**  
SCALE - 1/8"=1'-0"  
SDR: 52.11.2



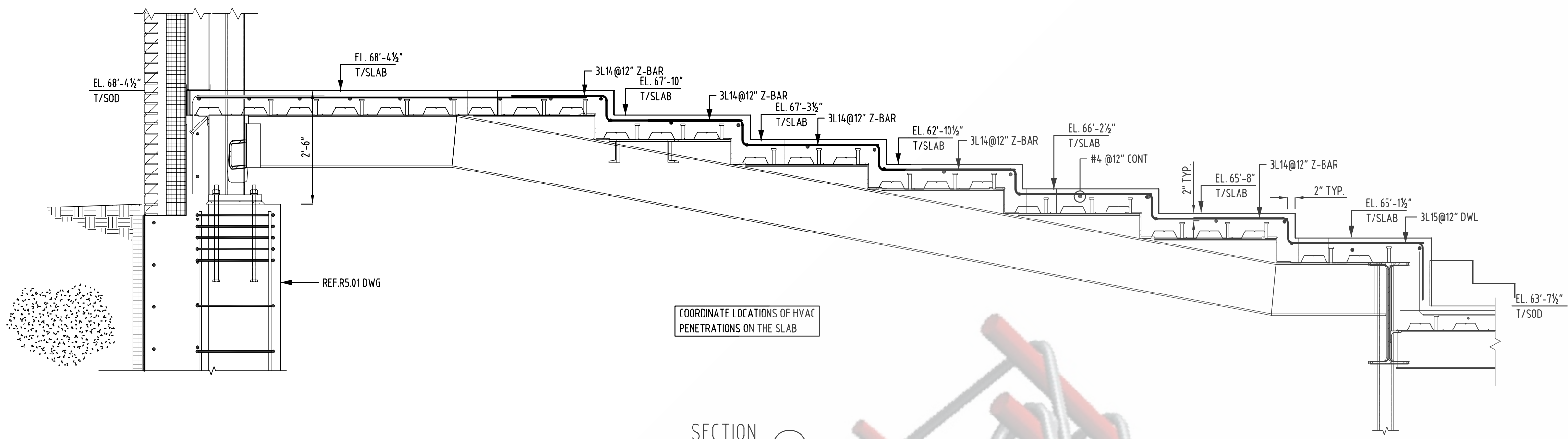
**PART "F" SLAB ON DECK TRANSFER REBAR LAYOUT**  
SCALE - 1/8"=1'-0"  
SDR: 52.31

ONCE REBAR SERVICES



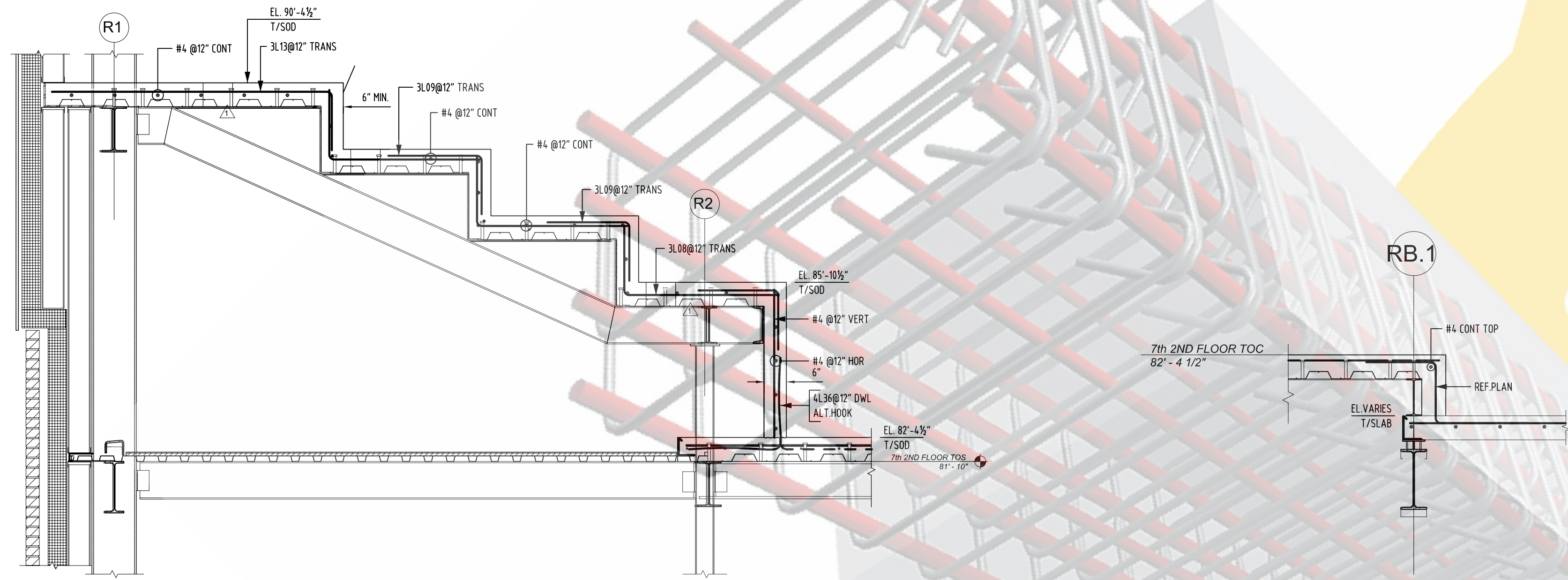




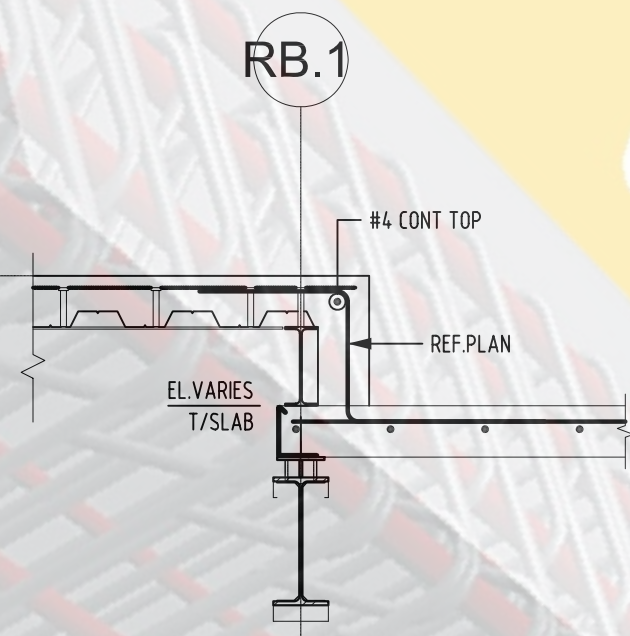


COORDINATE LOCATIONS OF HVAC PENETRATIONS ON THE SLAB

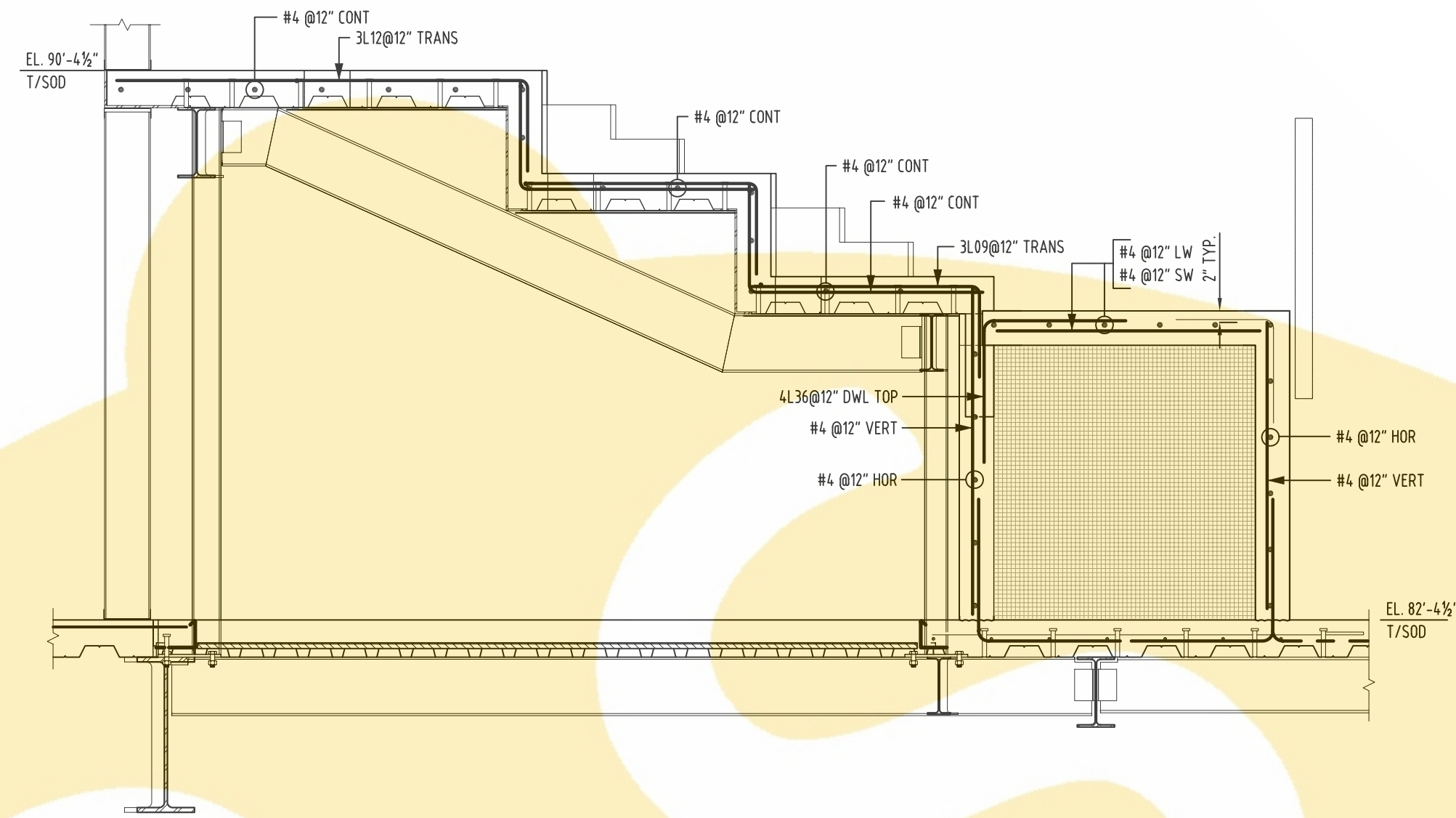
SECTION 7  
SCALE: 1/2\"/>



SECTION 9  
SCALE: 1/2\"/>



SECTION 10  
SCALE: 1/2\"/>



SECTION 8  
SCALE: 1/2\"/>

ONCE REBAR SERVICES



# ONCE REBAR SERVICES

Release Number: R11.01-R11.07		BENDING DETAILS															
Bar Mark	Qty	Size	Total Length	Type	'A'	'B'	'C'	'D'	'E'	'F'	'G'	'H'	'J'	'K'	'O'	'R'	
3L01	106	#3	6'-8 1/2"	20		2'-1"	1'-4 1/2"	3'-2 1/2"									
3L02	107	#3	6'-2 1/2"	20		1'-7"	1'-4 1/2"	3'-2 1/2"									
3L03	103	#3	6'-11 1/2"	20		2'-1"	1'-4 1/2"	3'-6"									
3L04	9	#3	6'-7 1/2"	20		3'-1"	0'-6 1/2"	3'-0"									
3L05	49	#3	4'-2 1/2"	20		2'-1"	0'-6 1/2"	1'-7"									
3L06	64	#3	5'-1 1/2"	20		1'-7"	0'-6 1/2"	3'-0"									
3L07	65	#3	11'-5 1/2"	17		9'-11"	1'-6"										
3L08	79	#3	5'-1"	17		3'-6"	1'-7"										
3L09	214	#3	5'-0"	17		1'-7"	3'-5"										
3L10	71	#3	4'-2 1/2"	17		2'-1"	2'-1"										
3L11	222	#3	4'-8 1/2"	17		1'-4"	3'-4"										
3L12	37	#3	7'-4 1/2"	17		1'-4"	6'-0"										
3L13	70	#3	7'-8 1/2"	17		1'-4"	6'-4"										
3L14	517	#3	5'-7 1/2"	20		2'-1"	0'-6 1/2"	3'-0"									
3L15	80	#3	3'-4 1/2"	17		1'-3"	2'-1"										
3L16	9	#3	4'-8 1/2"	20		2'-1"	0'-6 1/2"	2'-1"									
3L17	6	#3	2'-9 1/2"	17		1'-3"	1'-6"										
3L18	272	#3	5'-7 1/2"	20		2'-1"	0'-6 1/2"	3'-0"									
3L20	1	#3	9'-6 1/2"	9		9'-6 1/2"						1'-1 1/2"		9'-1 1/2"	9'-11"		
3L21	1	#3	8'-8 1/2"	9		8'-8 1/2"						1'-0 1/2"		8'-4 1/2"	8'-11"		
3L22	1	#3	7'-10 1/2"	9		7'-10 1/2"						7'-6 1/2"		7'-10 1/2"	7'-11"		
3L23	1	#3	7'-0 1/2"	9		7'-0 1/2"						0'-10 1/2"		6'-9 1/2"	6'-11"		
3L24	1	#3	6'-2 1/2"	9		6'-2 1/2"						0'-9 1/2"		5'-11"	5'-11"		
3L25	2	#3	5'-4 1/2"	9		5'-4 1/2"						5'-4 1/2"		5'-1"	4'-11"		
3L26	8	#3	3'-5 1/2"	17		1'-4"	2'-1"										
3L27	3	#3	8'-5 1/2"	3		6'-4 1/2"	2'-1"					2'-0 1/2"		0'-6 1/2"	6'-10 1/2"		
3L28	13	#3	2'-9 1/2"	17		2'-1"	0'-8"										
4L01	72	#4	4'-6 1/2"	1		0'-6"	4'-0"										
4L05	11	#4	4'-2 1/2"	3		2'-1"	2'-1"					0'-3 1/2"		2'-0 1/2"	4'-1 1/2"		
4L06	3	#4	4'-1 1/2"	3		2'-1"	2'-0 1/2"					0'-3 1/2"		2'-0 1/2"	4'-1 1/2"		
4L07	11	#4	4'-1 1/2"	3		2'-1"	2'-0 1/2"					0'-3 1/2"		2'-0 1/2"	4'-1 1/2"		
4L08	1	#4	4'-2 1/2"	3		2'-1"	2'-1"					0'-3 1/2"		2'-0 1/2"	4'-1 1/2"		
4L16	1	#4	4'-1 1/2"	3		2'-1"	2'-0 1/2"					0'-3 1/2"		2'-0 1/2"	4'-1 1/2"		
4L17	1	#4	6'-7 1/2"	9		6'-7 1/2"						0'-1"		6'-7 1/2"	9'-2 1/2"		
4L18	1	#4	4'-7 1/2"	9		4'-7 1/2"						0'-0 1/2"		4'-7 1/2"	9'-5 1/2"		
4L19	1	#4	4'-11 1/2"	9		4'-11 1/2"						0'-0 1/2"		4'-11 1/2"	9'-5 1/2"		
4L20	1	#4	4'-1 1/2"	3		2'-1"	2'-0 1/2"					0'-1 1/2"		2'-0 1/2"	4'-1 1/2"		
4L21	1	#4	4'-11 1/2"	9		4'-11 1/2"						0'-1 1/2"		4'-10 1/2"	3'-8 1/2"		
4L22	1	#4	4'-1 1/2"	3		2'-1"	2'-0 1/2"					0'-1 1/2"		2'-0 1/2"	4'-1 1/2"		
4L23	3	#4	10'-4 1/2"	3		8'-4"	2'-0 1/2"					0'-2"		2'-0 1/2"	10'-4 1/2"		
4L24	2	#4	5'-2 1/2"	9		5'-2 1/2"						0'-2 1/2"		5'-2 1/2"	3'-0 1/2"		
4L25	1	#4	6'-1 1/2"	9		6'-1 1/2"						0'-1 1/2"		6'-0 1/2"	4'-0 1/2"		
4L26	3	#4	6'-6 1/2"	3		4'-6"	2'-0 1/2"					0'-1 1/2"		2'-0 1/2"	6'-6 1/2"		
4L27	1	#4	6'-11 1/2"	3		6'-11 1/2"						0'-2 1/2"		6'-10 1/2"	4'-0 1/2"		
4L28	2	#4	10'-5 1/2"	3		8'-5"	2'-0 1/2"					0'-2"		2'-0 1/2"	10'-5 1/2"		
4L29	2	#4	7'-9 1/2"	9		7'-9 1/2"						0'-2 1/2"		7'-8 1/2"	4'-2 1/2"		
4L30	1	#4	6'-6 1/2"	3		4'-5"	2'-1"					0'-1 1/2"		2'-1"	6'-6 1/2"		
4L31	1	#4	8'-7 1/2"	9		8'-7 1/2"						0'-3"		8'-6 1/2"	4'-2 1/2"		
4L32	1	#4	9'-6 1/2"	9		9'-6 1/2"						0'-3 1/2"		9'-5 1/2"	4'-2 1/2"		
4L33	1	#4	6'-1 1/2"	3		4'-0"	2'-1"					0'-1"		2'-1"	6'-1 1/2"		
4L34	1	#4	6'-1 1/2"	3		4'-0"	2'-1"					0'-1"		2'-1"	6'-1 1/2"		
4L35	45	#4	5'-1 1/2"	17		1'-7"	3'-6 1/2"										
4L36	400	#4	4'-2 1/2"	17		2'-1"	2'-1"										
4L37	2	#4	4'-1 1/2"	3		2'-1"	2'-0 1/2"					1'-1 1/2"		1'-8 1/2"	3'-9 1/2"		
4L38	5	#4	4'-1 1/2"	3		2'-1"	2'-0 1/2"					1'-0 1/2"		1'-9 1/2"	3'-10 1/2"		
4L39	16	#4	4'-1 1/2"	3		2'-1"	2'-0 1/2"					0'-11 1/2"		1'-10 1/2"	3'-11 1/2"		
4L40	5	#4	4'-1 1/2"	3		2'-1"	2'-0 1/2"					0'-11 1/2"		1'-10 1/2"	3'-11 1/2"		
4L56	1	#4	6'-5 1/2"	3		4'-1 1/2"	2'-4"					0'-2"		2'-4"	6'-5 1/2"		
4L57	3	#4	8'-0 1/2"	3		3'-9 1/2"	4'-3"					0'-3"		8'-0 1/2"			
4L58	2	#4	8'-0 1/2"	9		8'-0 1/2"						0'-1 1/2"		7'-11 1/2"	9'-1 1/2"		
4L59	1	#4	4'-10 1/2"	3		2'-6 1/2"	2'-3 1/2"					0'-2"		2'-3 1/2"	4'-10 1/2"		
4L60	1	#4	7'-1 1/2"	3		1'-11 1/2"	5'-2"					0'-2 1/2"		5'-2"	7'-1 1/2"		
4L62	1	#4	4'-4 1/2"	9		4'-4"						0'-6 1/2"		4'-2 1/2"	4'-9"		
4L63	1	#4	13'-1 1/2"	9		13'-1 1/2"						2'-9 1/2"		11'-4 1/2"	7'-3 1/2"		
4L64	1	#4	7'-7 1/2"	32		5'-6 1/2"	2'-0 1/2"					0'-3 1/2"	0'-0 1/2"	2'-0 1/2"	7'-7 1/2"	6'-10 1/2"	
4L65	5	#4	9'-1 1/2"	3		7'-0"	2'-1"					0'-1"		2'-1"	9'-1 1/2"		
4L66	6	#4	10'-9 1/2"	3		8'-9"	2'-0 1/2"					0'-1 1/2"		2'-0 1/2"	10'-9 1/2"		
4L67	6	#4	10'-8 1/2"	3		8'-8"	2'-0 1/2"					0'-1 1/2"		2'-0 1/2"	10'-8 1/2"		
4L68	5	#4	10'-7 1/2"	3		8'-7"	2'-0 1/2"					0'-1 1/2"		2'-0 1/2"	10'-7 1/2"		
4L69	5	#4	10'-7 1/2"	3		8'-7"	2'-0 1/2"					0'-1 1/2"		2'-0 1/2"	10'-7 1/2"		
4L70	1	#4	10'-7 1/2"	3		8'-7"	2'-0 1/2"					0'-2"		2'-0 1/2"	10'-7 1/2"		
4L71	1	#4	10'-7 1/2"	3		8'-7"	2'-0 1/2"					0'-2"		2'-0 1/2"	10'-7 1/2"		
4L72	4	#4	10'-6 1/2"	3		8'-6"	2'-0 1/2"					0'-1 1/2"		2'-0 1/2"	10'-6 1/2"		
4L73	1	#4	10'-5 1/2"	3		8'-5"	2'-0 1/2"					0'-2"		2'-0 1/2"	10'-5 1/2"		
4L74	2	#4	10'-5 1/2"	3		8'-5"	2'-0 1/2"					0'-1 1/2"		2'-0 1/2"	10'-5 1/2"		
4L75	1	#4	6'-0 1/2"	3		4'-0"	2'-0 1/2"					0'-1 1/2"		2'-0 1/2"	6'-0 1/2"		

Release Number: R11.01-R11.07		BENDING DETAILS															
Bar Mark	Qty	Size	Total Length	Type	'A'	'B'	'C'	'D'	'E'	'F'	'G'	'H'	'J'	'K'	'O'	'R'	
4L76	2	#4	6'-1 1/2"	3		4'-1"	2'-0 1/2"							0'-1 1/2"	2'-0 1/2"	6'-1 1/2"	
4L77	2	#4	6'-2 1/2"	3		4'-1"	2'-1"							0'-1 1/2"	2'-1"	6'-2 1/2"	
4L78	4	#4	6'-2 1/2"	3		4'-2"	2'-0 1/2"							0'-1 1/2"	2'-0 1/2"	6'-2 1/2"	
4L79	1	#4	6'-3 1/2"	3		4'-2"	2'-1"							0'-1 1/2"	2'-1"	6'-3 1/2"	
4L80	2	#4	6'-3 1/2"	3		4'-3"	2'-0 1/2"							0'-1 1/2"	2'-0 1/2"	6'-3 1/2"	
4L81	3	#4	6'-3 1/2"	3		4'-3"	2'-0 1/2"							0'-1 1/2"	2'-0 1/2"	6'-3 1/2"	
4L82	3	#4	6'-4 1/2"	3		4'-4"	2'-0 1/2"							0'-1 1/2"	2'-0 1/2"	6'-4 1/2"	
4L83	1	#4	6'-4 1/2"	3		4'-4"	2'-0 1/2"							0'-1 1/2"	2'-0 1/2"	6'-4 1/2"	
4L84	3	#4	6'-5 1/2"	3		4'-5"	2'-0 1/2"							0'-1 1/2"	2'-0 1/2"	6'-5 1/2"	
4L85	1	#4	6'-6 1/2"	3		4'-6"	2'-0 1/2"							0'-1 1/2"	2'-0 1/2"	6'-6 1/2"	
4L86	2	#4	6'-7 1/2"	3		4'-7"	2'-0 1/2"							0'-1 1/2"	2'-0 1/2"	6'-7 1/2"	
4L87	1	#4	3'-9 1/2"	9		3'-9 1/2"						0'-0 1/2"		3'-9 1/2"	5'-0 1/2"	5'-0 1/2"	
4L88	1	#4	3'-5 1/2"	9		3'-5 1/2"						0'-0 1/2"		3'-5 1/2"	6'-0 1/2"	6'-0 1/2"	
4L89	1	#4	3'-0 1/2"	9		3'-0 1/2"						0'-0 1/2"		3'-0 1/2"	6'-1 1/2"	6'-1 1/2"	
4L94	1	#4	9'-6 1/2"	9		9'-6 1/2"						0'-2 1/2"		9'-6 1/2"	7'-5 1/2"	7'-5 1/2"	
4L96	3	#4	8'-1 1/2"	9		8'-1 1/2"						0'-1 1/2"		8'-0 1/2"	7'-1 1/2"	7'-1 1/2"	
4L98	1	#4	9'-0 1/2"	9		9'-0 1/2"						0'-2 1/2"		8'-11 1/2"	7'-1 1/2"	7'-1 1/2"	
4L114	5	#4	4'-1 1/2"	3		2'-1"	2'-0 1/2"					0'-10 1/2"		1'-10 1/2"	3'-11 1/2"		
4L115	4	#4	5'-6 1/2"	20		2'-1"	1'-4 1/2"	2'-1"									
4L116	4	#4	6'-10 1/2"	20		2'-1"	2'-8 1/2"	2'-1"									
4L117	4	#4	8'-3 1/2"	20		2'-1"	4'-1 1/2"	2'-1"									
4L127	1	#4	9'-8 1/2"	32		4'-7"	5'-1"					2'-6"	0'-8"	4'-10 1/2"	8'-9 1/2"	4'-9"	
4L128	4	#4	3'-9 1/2"	17													