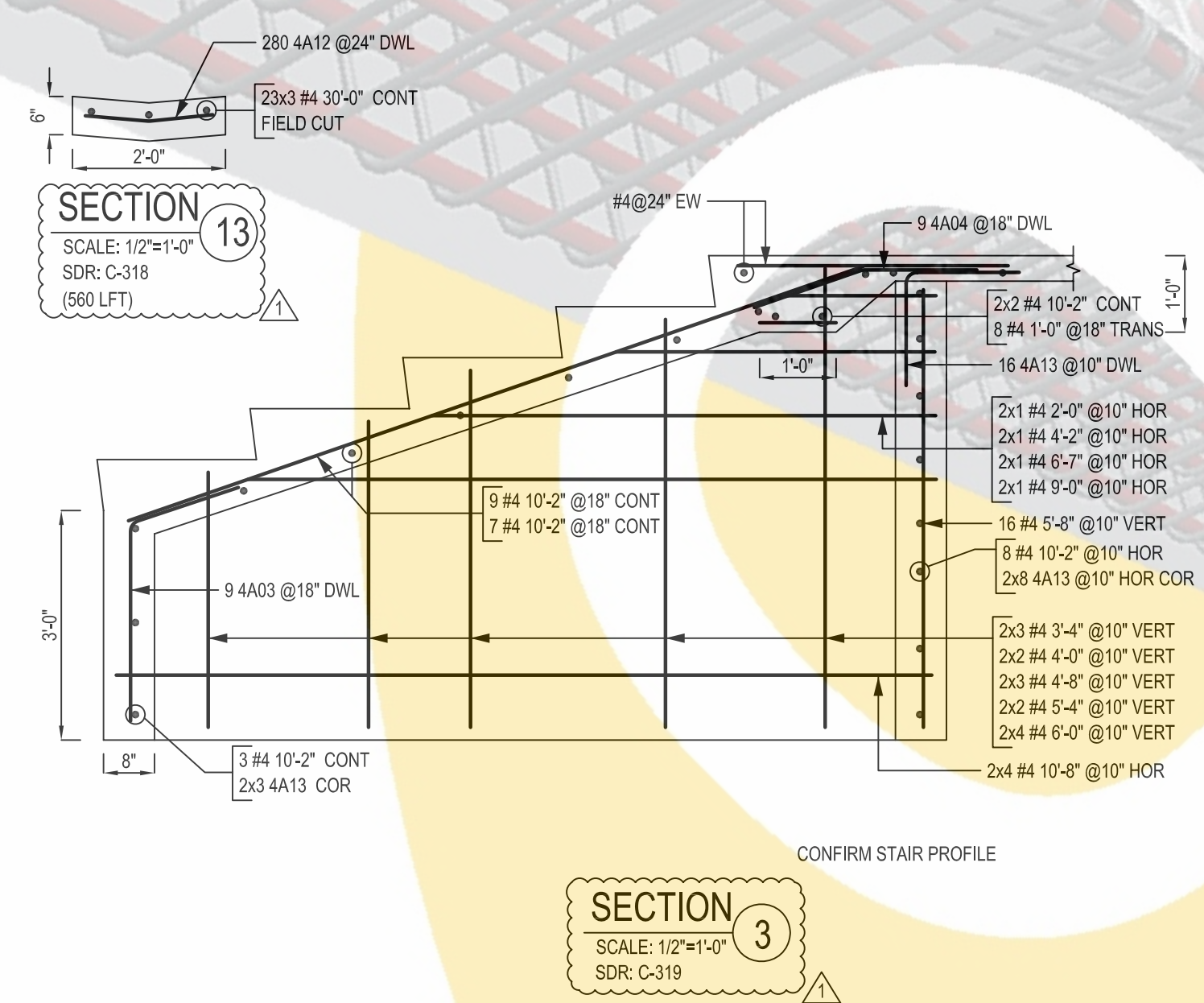
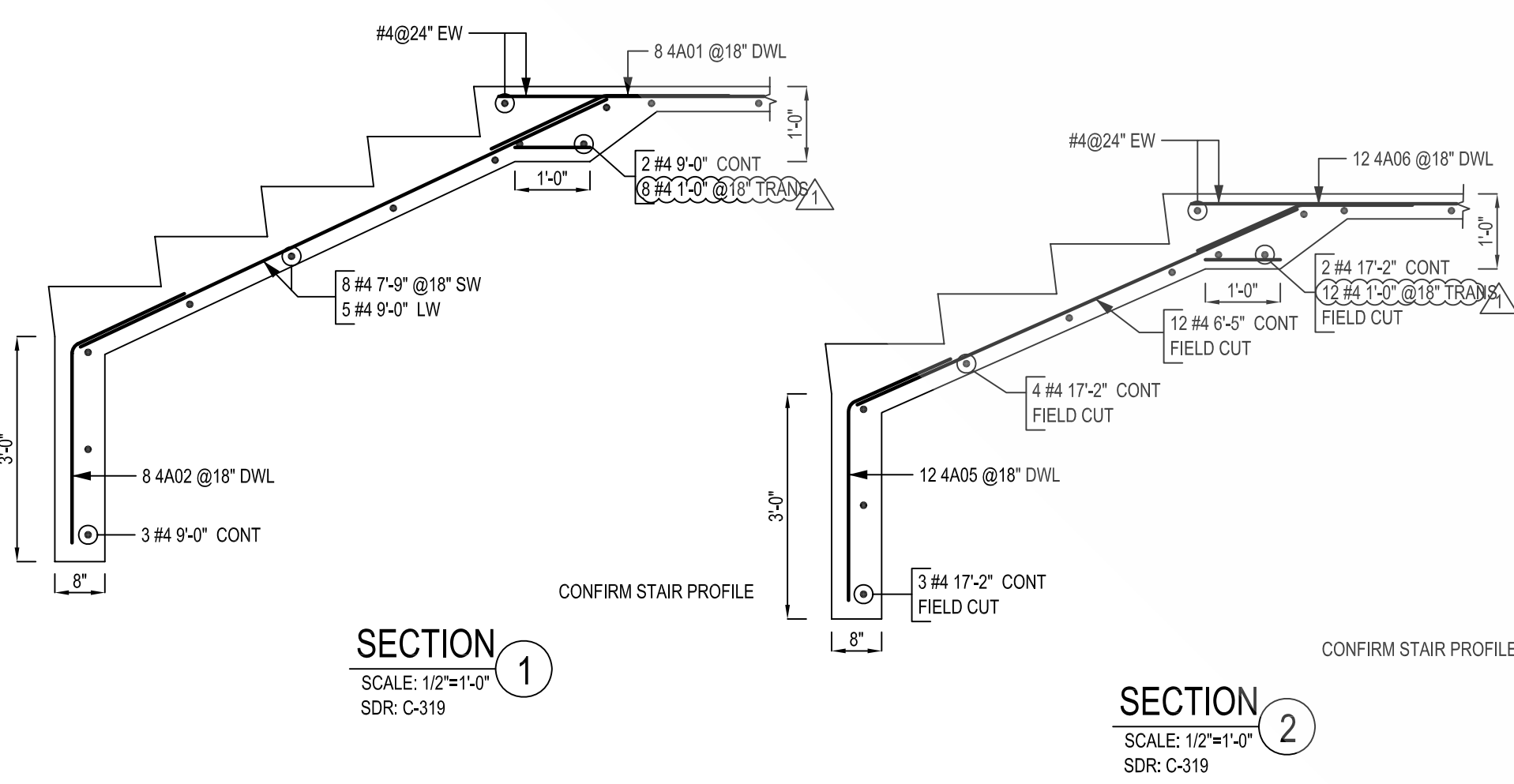
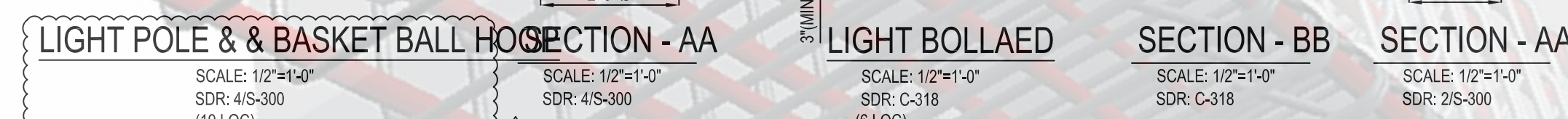
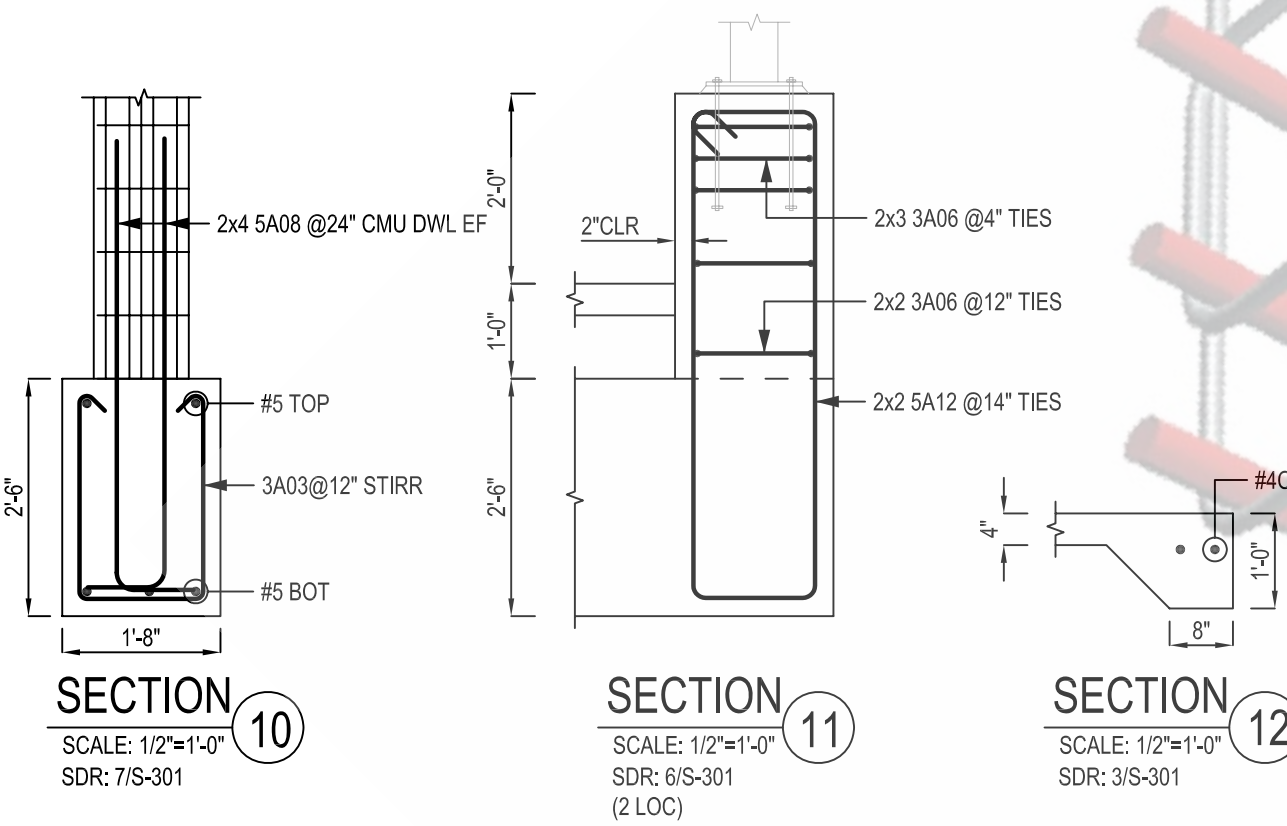
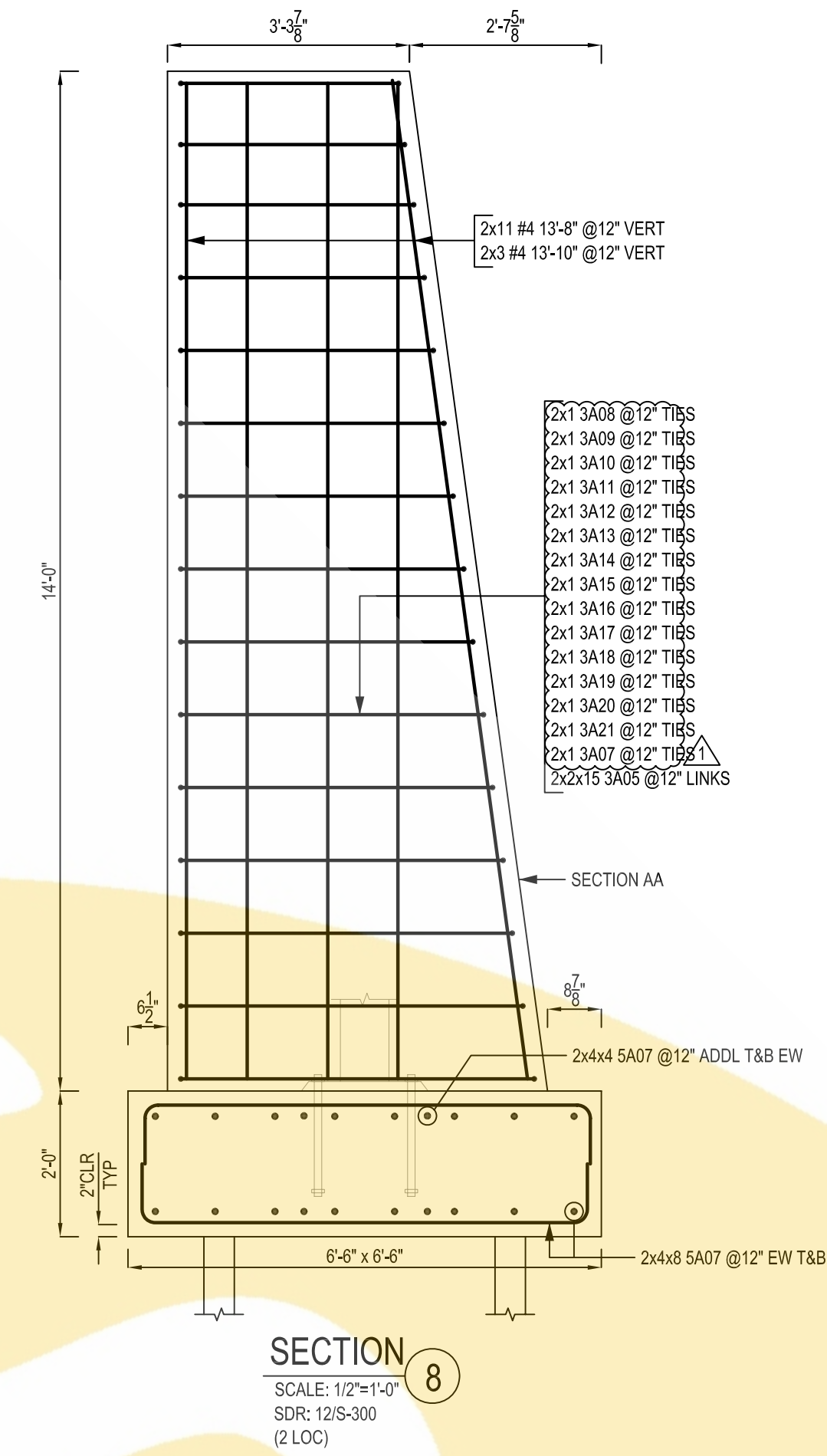
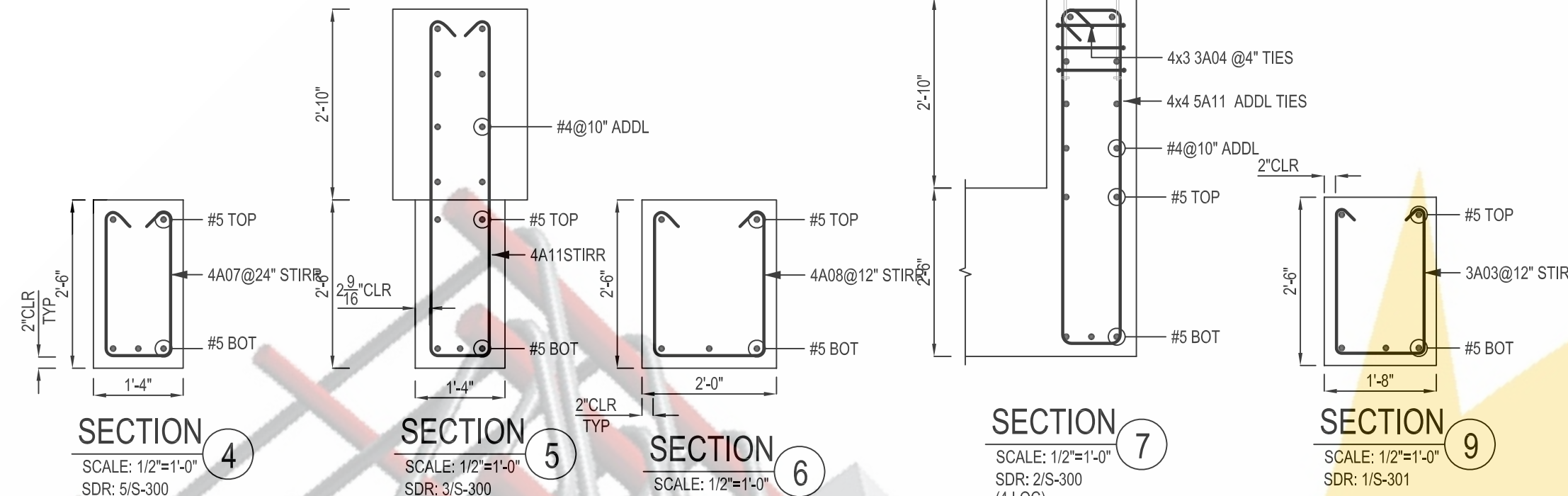
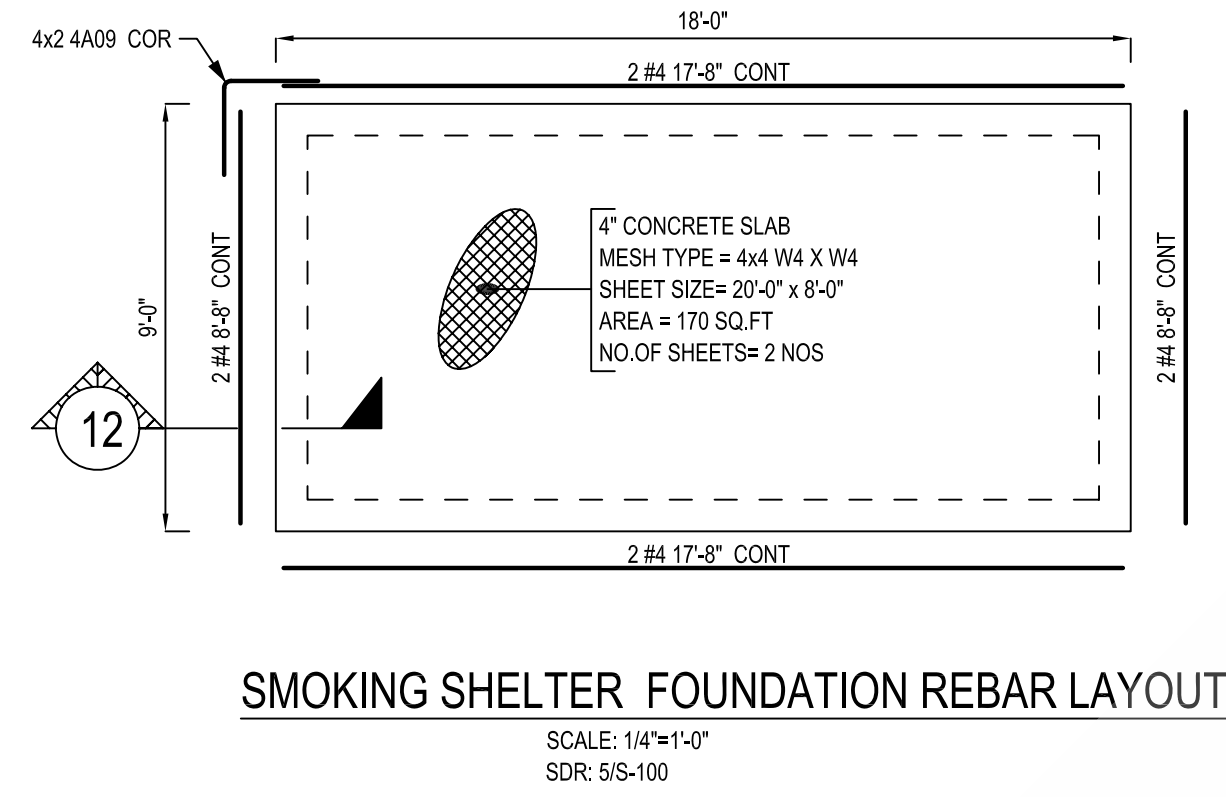
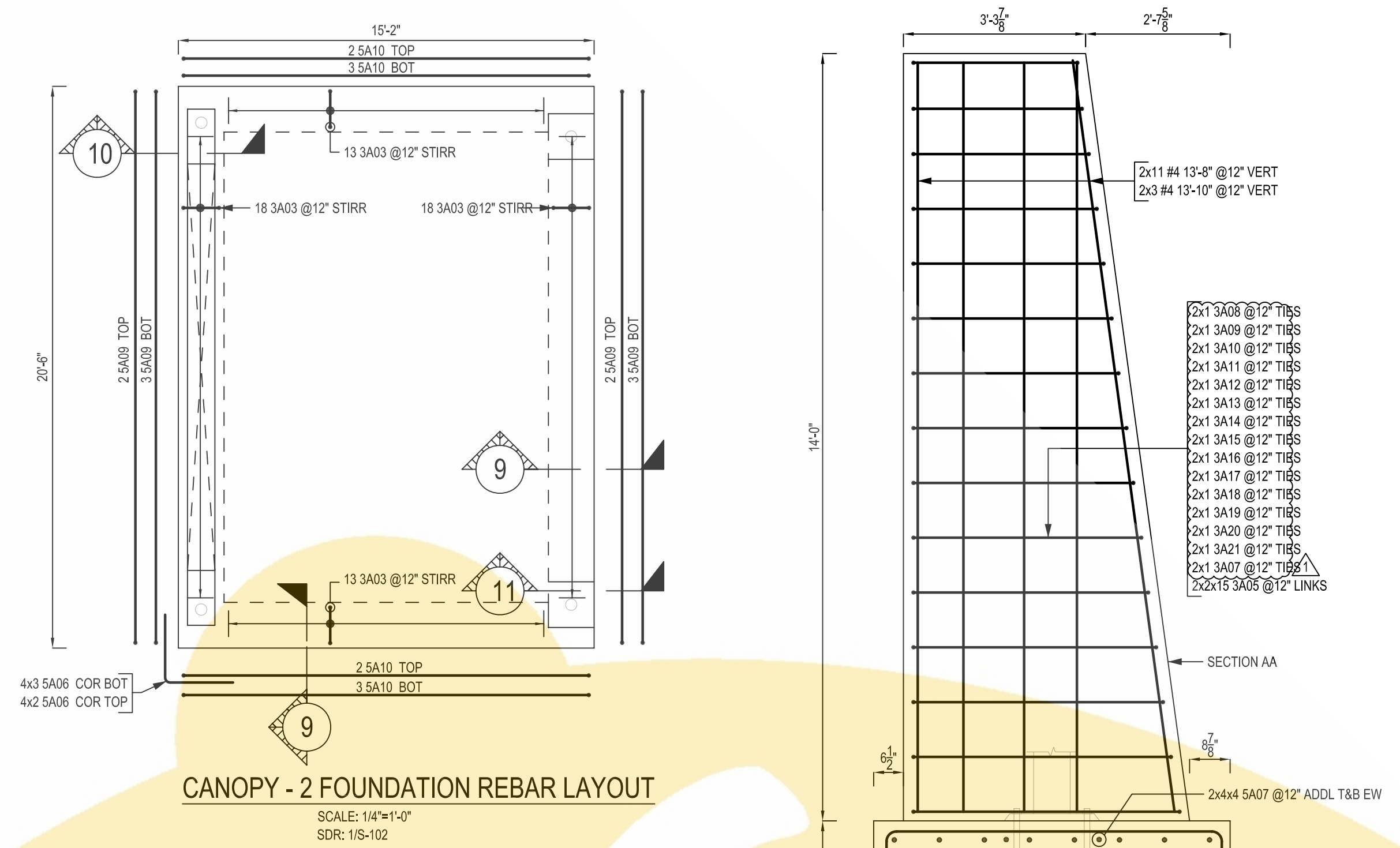
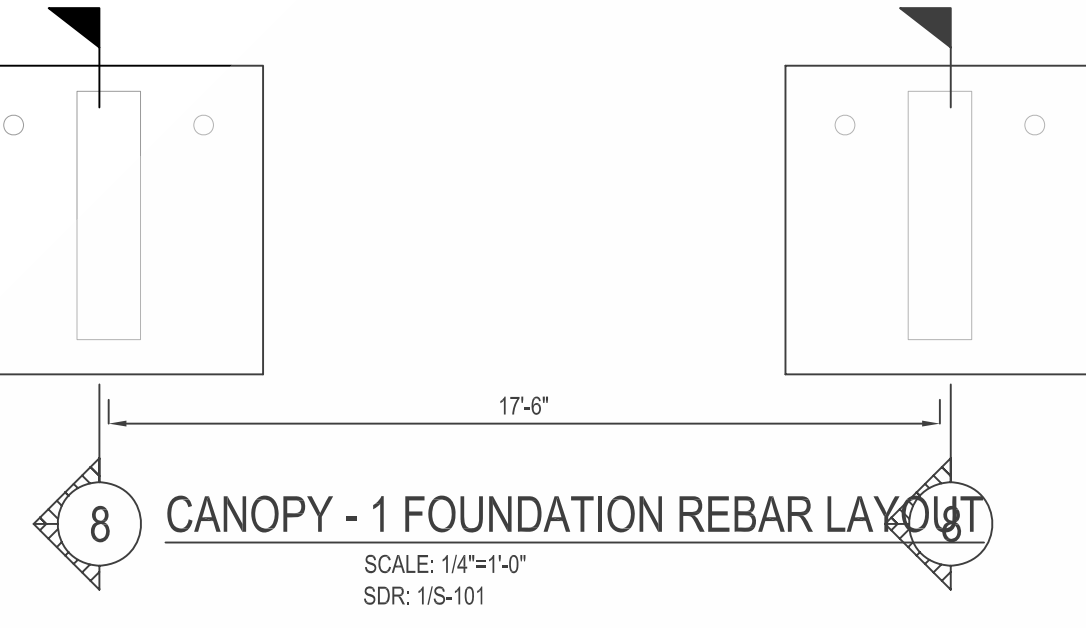
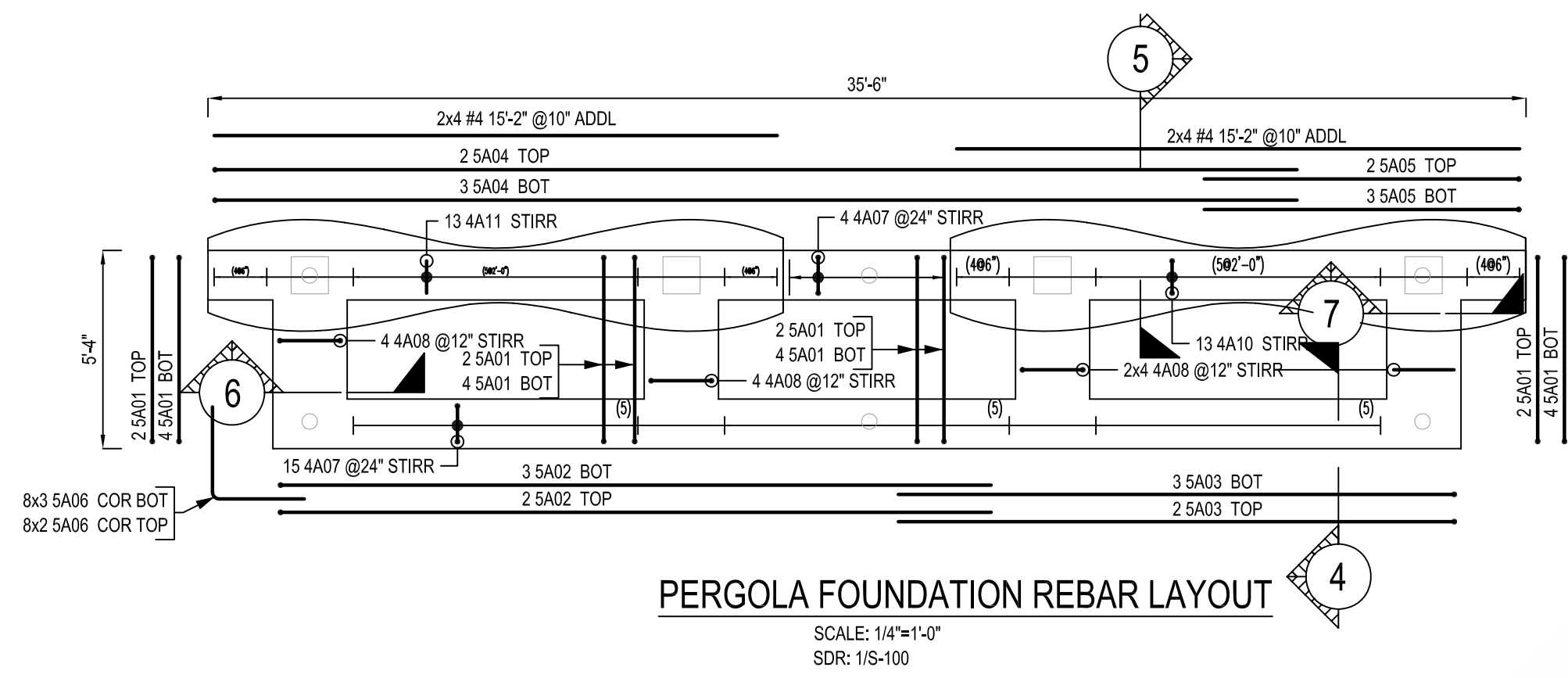


SITWORK REBAR LAYOUT
SCALE: N.T.S
SDR: C-308

ONCE REBAR SERVICES

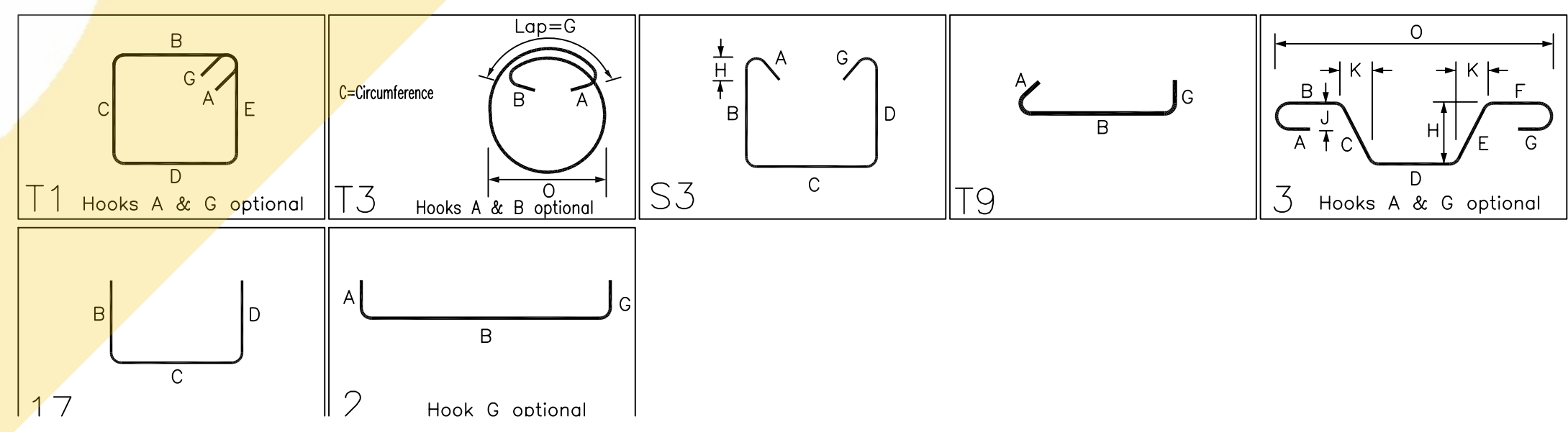


Release Number: R1.01-R1.02

Bar Mark	Qty	Size	Total Length	Type	X'	Y'	Z'	X"	Y"	Z"	X'''	Y'''	Z'''
3A01	114	#3	5'-1"	11	0'-4"	1'-1 3/4"	1'-1 3/4"	1'-1 3/4"	1'-1 3/4"	1'-1 3/4"			0'-4"
3A02	24	#3	2'-0 3/4"	13	0'-4"	1'-6 3/4"	1'-6 3/4"	1'-6 3/4"	1'-6 3/4"	1'-6 3/4"			0'-6"
3A03	62	#3	6'-4"	S3	0'-4"	2'-2"	1'-4"	2'-2"	1'-4"	2'-2"			0'-4"
3A04	12	#3	4'-8"	11	0'-4"	1'-0"	1'-0"	1'-0"	1'-0"	1'-0"			0'-4"
3A05	60	#3	1'-8"	19	0'-4"	1'-0"	1'-0"	1'-0"	1'-0"	1'-0"			0'-4"
3A06	10	#3	5'-7"	11	0'-4"	1'-2 3/4"	1'-2 3/4"	1'-2 3/4"	1'-2 3/4"	1'-2 3/4"			0'-4"
3A07	2	#3	12'-5"	11	0'-4"	4'-10 3/4"	1'-0"	4'-10 3/4"	1'-0"	4'-10 3/4"			0'-4"
3A08	2	#3	8'-9"	11	0'-4"	3'-0 3/4"	1'-0"	3'-0 3/4"	1'-0"	3'-0 3/4"			0'-4"
3A09	2	#3	8'-11"	11	0'-4"	3'-1 3/4"	1'-0"	3'-1 3/4"	1'-0"	3'-1 3/4"			0'-4"
3A10	2	#3	9'-2"	11	0'-4"	3'-2 3/4"	1'-0"	3'-2 3/4"	1'-0"	3'-2 3/4"			0'-4"
3A11	2	#3	9'-5 3/4"	11	0'-4"	3'-4 3/4"	1'-0"	3'-4 3/4"	1'-0"	3'-4 3/4"			0'-4"
3A12	2	#3	9'-8 3/4"	11	0'-4"	3'-5"	1'-0"	3'-5"	1'-0"	3'-5"			0'-4"
3A13	2	#3	10'-0"	11	0'-4"	3'-7 3/4"	1'-0"	3'-7 3/4"	1'-0"	3'-7 3/4"			0'-4"
3A14	2	#3	10'-3"	11	0'-4"	3'-9 3/4"	1'-0"	3'-9 3/4"	1'-0"	3'-9 3/4"			0'-4"
3A15	2	#3	10'-6 3/4"	11	0'-4"	3'-11"	1'-0"	3'-11"	1'-0"	3'-11"			0'-4"
3A16	2	#3	10'-9 3/4"	11	0'-4"	4'-0 3/4"	1'-0"	4'-0 3/4"	1'-0"	4'-0 3/4"			0'-4"
3A17	2	#3	11'-1"	11	0'-4"	4'-2 3/4"	1'-0"	4'-2 3/4"	1'-0"	4'-2 3/4"			0'-4"
3A18	2	#3	11'-4"	11	0'-4"	4'-3 3/4"	1'-0"	4'-3 3/4"	1'-0"	4'-3 3/4"			0'-4"
3A19	2	#3	11'-7 3/4"	11	0'-4"	4'-5 3/4"	1'-0"	4'-5 3/4"	1'-0"	4'-5 3/4"			0'-4"
3A20	2	#3	11'-10 3/4"	11	0'-4"	4'-7"	1'-0"	4'-7"	1'-0"	4'-7"			0'-4"
3A21	2	#3	12'-2"	11	0'-4"	4'-8 3/4"	1'-0"	4'-8 3/4"	1'-0"	4'-8 3/4"			0'-4"
4A01	8	#4	3'-3 3/4"	3		1'-8"	1'-7 3/4"				0'-8 3/4"		1'-5 3/4"
4A02	8	#4	4'-3 3/4"	3		2'-7 3/4"	1'-7 3/4"				1'-6 3/4"		3'-3 3/4"
4A03	9	#4	4'-0 3/4"	3		1'-6"	2'-6 3/4"				2'-5 3/4"		0'-9 3/4"
4A04	9	#4	2'-11 3/4"	3		1'-6"	1'-5 3/4"				0'-6 3/4"		2'-10 3/4"
4A05	12	#4	4'-1 3/4"	3		1'-6"	2'-7 3/4"				2'-5"		1'-0 3/4"
4A06	12	#4	3'-0"	3		1'-6"	1'-6"				0'-7 3/4"		2'-10 3/4"
4A07	19	#4	6'-1"	S3	0'-4"	2'-2"	1'-0"	2'-2"			0'-4 3/4"		0'-3"
4A08	16	#4	6'-9"	S3	0'-4"	2'-2"	1'-8"	2'-2"			0'-4 3/4"		0'-3"
4A09	8	#4	4'-0"	17		2'-0"	2'-0"						
4A10	13	#4	11'-5 3/4"	S3	0'-4"	4'-11"	0'-10 3/4"	4'-11"			0'-4 3/4"		0'-3"
4A11	13	#4	11'-7 3/4"	S3	0'-4"	5'-0"	0'-10 3/4"	5'-0"			0'-4 3/4"		0'-3"
4A12	280	#4	1'-8"	3		0'-10"	0'-10"				0'-2 3/4"		0'-9 3/4"
4A13	38	#4	3'-0"	17		1'-6"	1'-6"						1'-7 3/4"
5A01	24	#5	6'-8"	2	0'-10"	5'-0"					0'-10"		
5A02	5	#5	20'-0"	2	0'-10"	19'-2"							
5A03	5	#5	15'-10"	2	0'-10"	15'-0"							
5A04	5	#5	30'-0"	2	0'-10"	29'-2"							
5A05	5	#5	9'-4"	2	0'-10"	8'-6"							
5A06	60	#5	5'-0"	17		2'-6"	2'-6"						
5A07	96	#5	7'-10"	2	0'-10"	6'-2"					0'-10"		
5A08	8	#5	5'-7"	2	0'-10"	4'-9"							
5A09	10	#5	21'-10"	2	0'-10"	20'-2"					0'-10"		
5A10	10	#5	16'-6"	2	0'-10"	14'-10"					0'-10"		
5A11	16	#5	12'-8 3/4"	11	0'-5 3/4"	5'-0"	0'-10 3/4"	5'-0"	0'-10 3/4"		0'-5 3/4"		
5A12	4	#5	13'-11"	11	0'-5 3/4"	5'-2"	1'-4"	5'-2"	1'-4"		0'-5 3/4"		

LAP SCHEDULE

SIZE	48 BAR DIA
#3	18
#4	24
#5	30
#6	36
#7	42
#8	48
#9	55
#10	61
#11	68



ONCE REBAR SERVICES