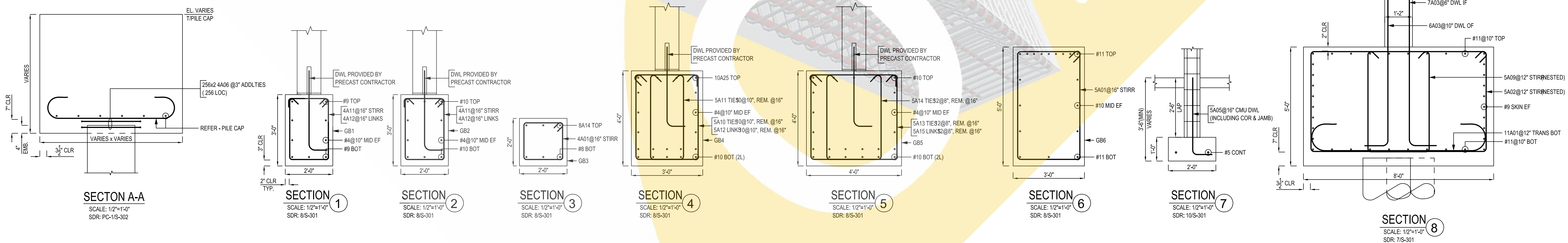
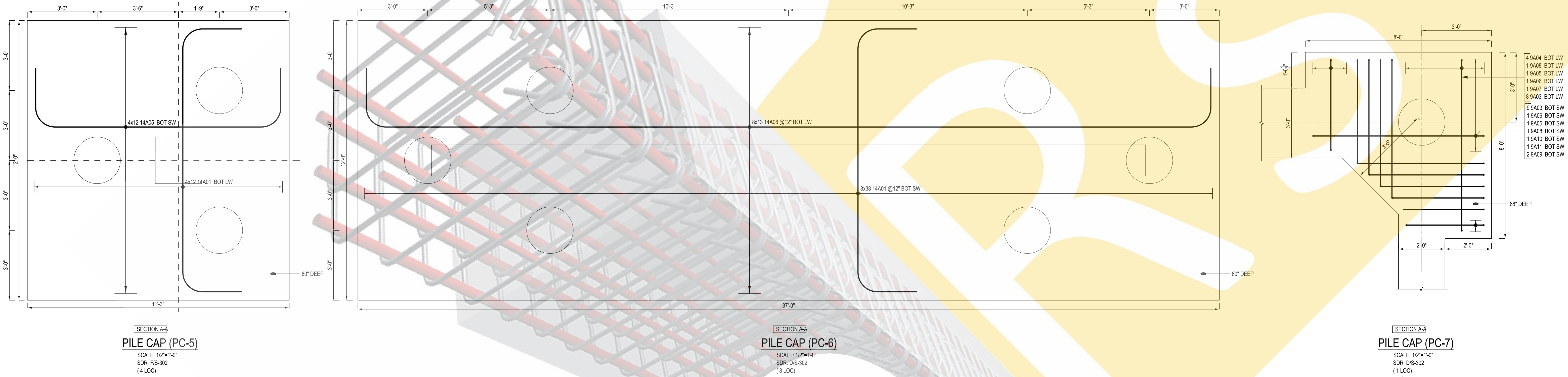
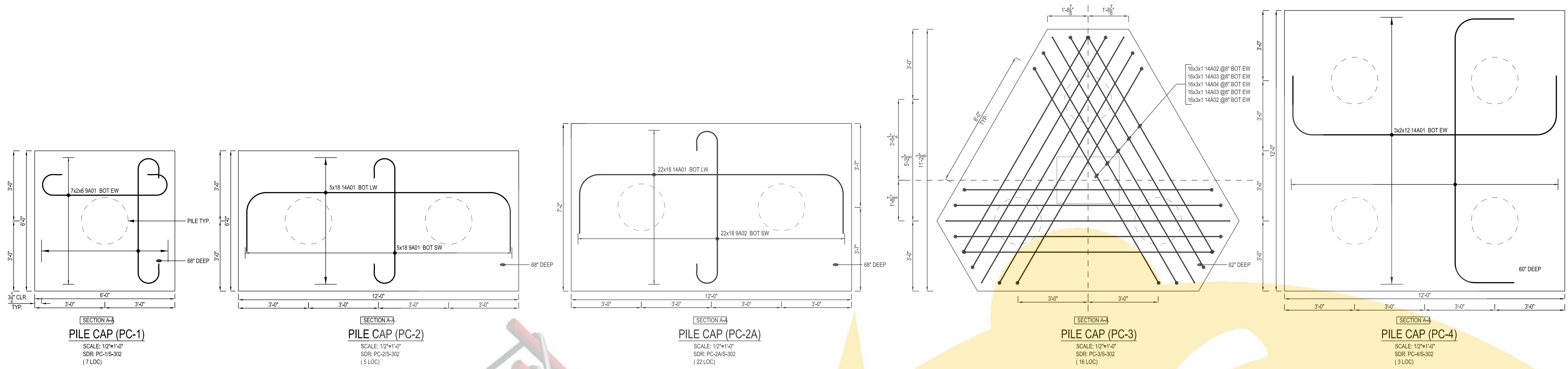
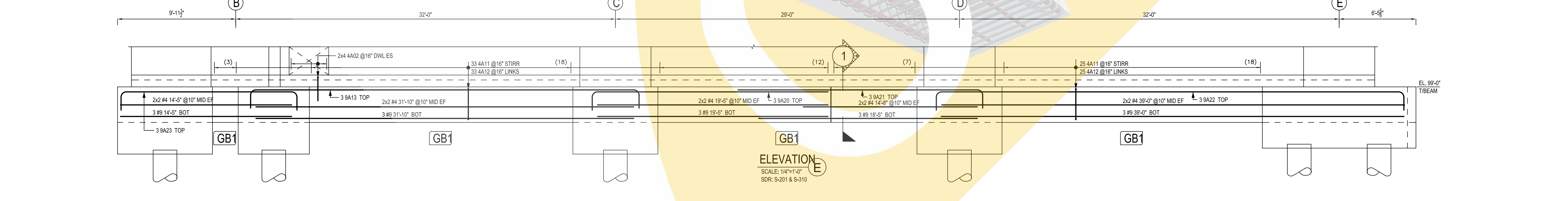
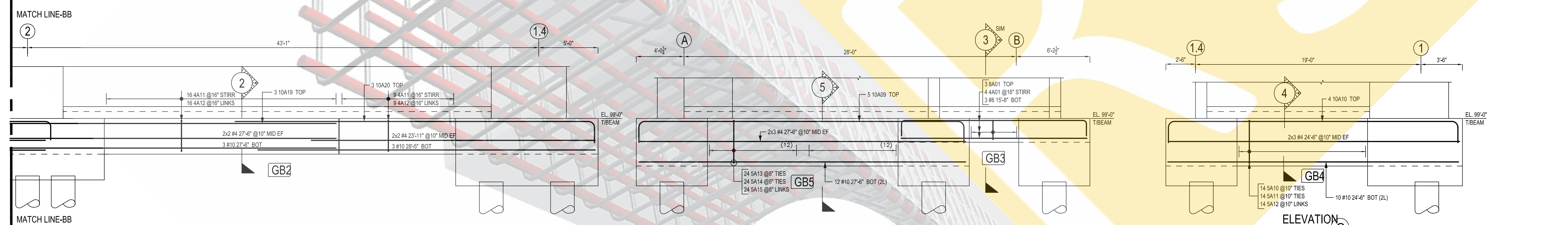
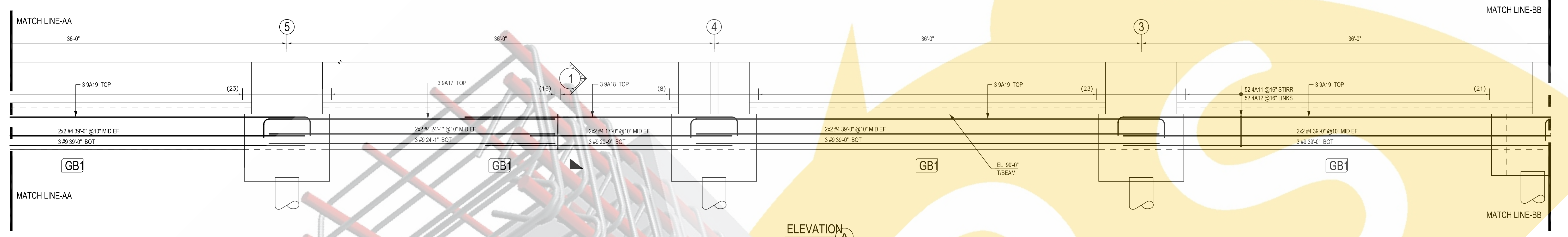
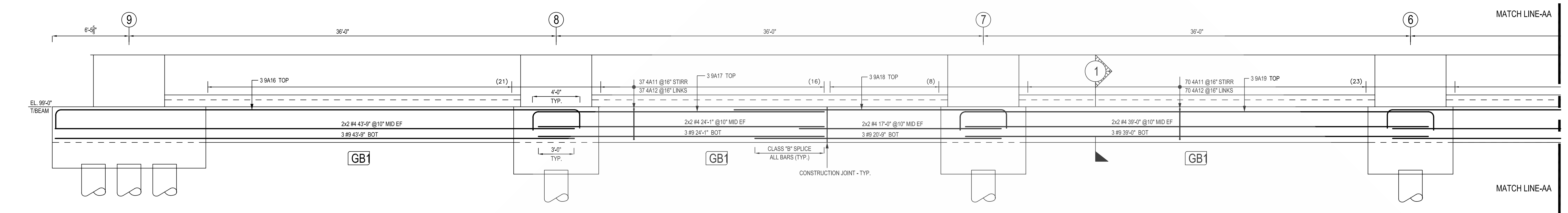


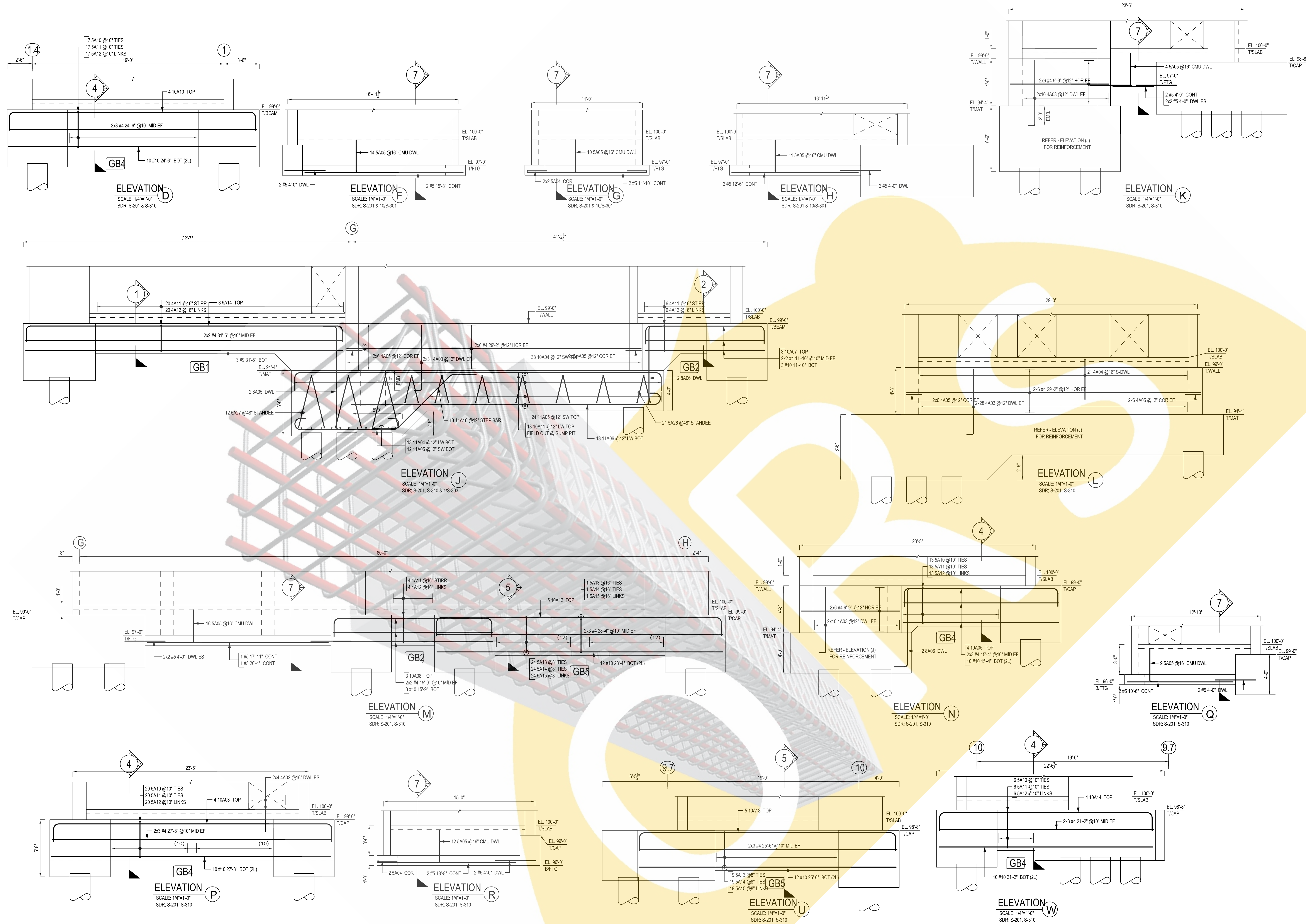
ONCE REBAR SERVICES



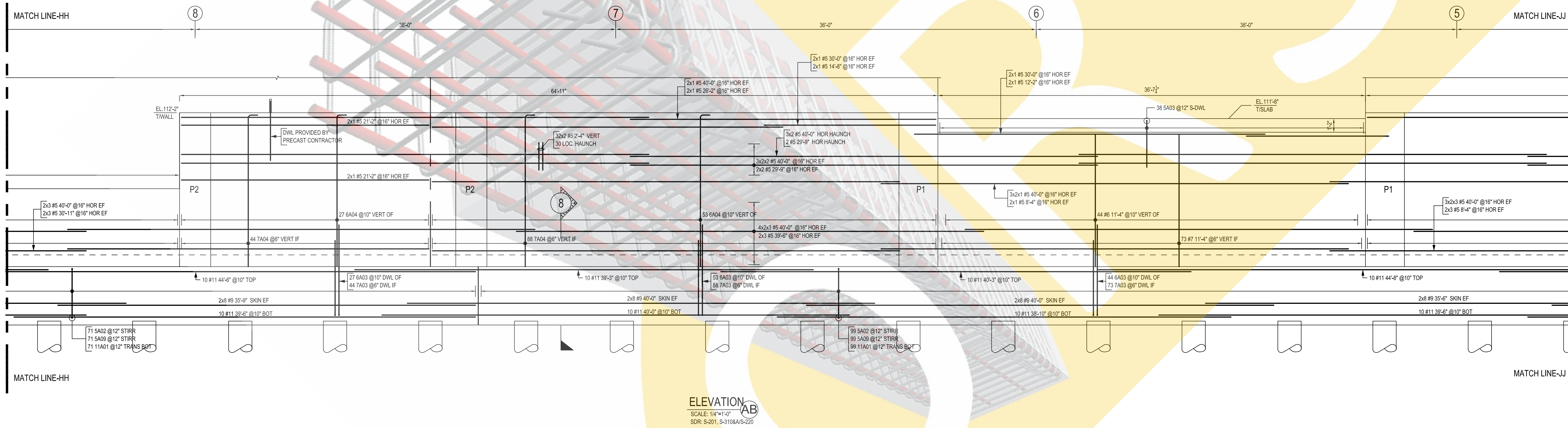
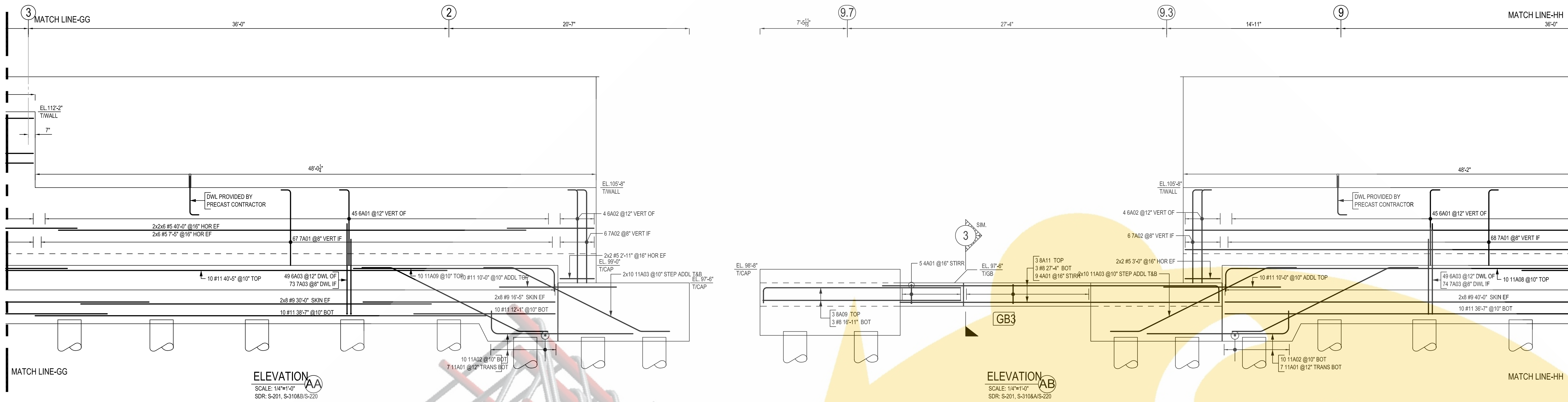
ONCE REBAR SERVICES

ONCE REBAR SERVICES

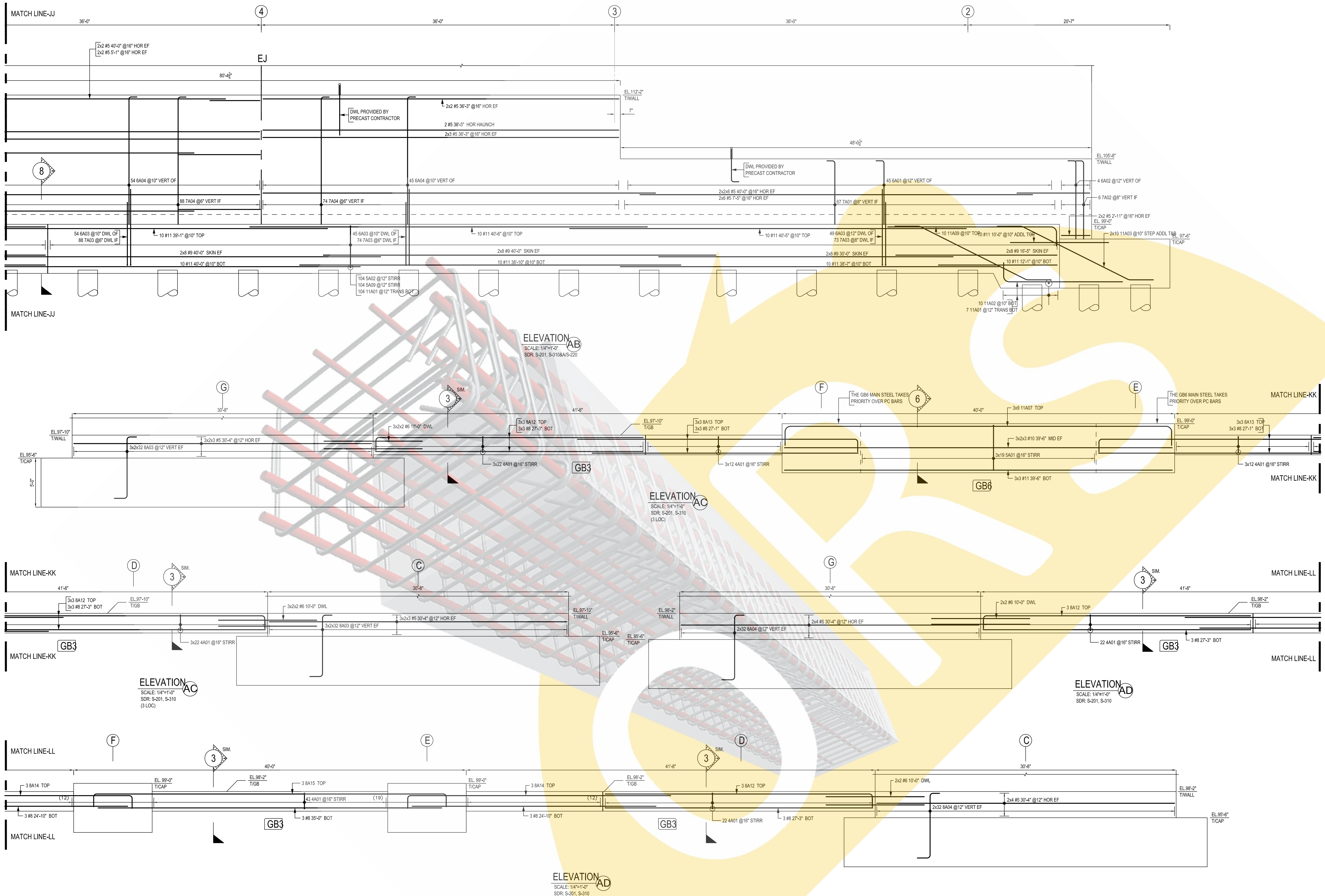




ONCE REBAR SERVICES



ONCE REBAR SERVICES



ELEVATION AB
SCALE: 1/4"=1'-0"
SDR: S-201, S-310&A/S-220

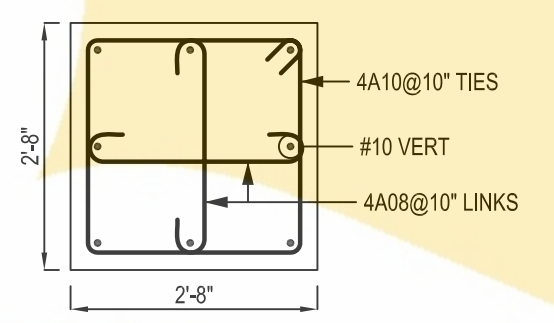
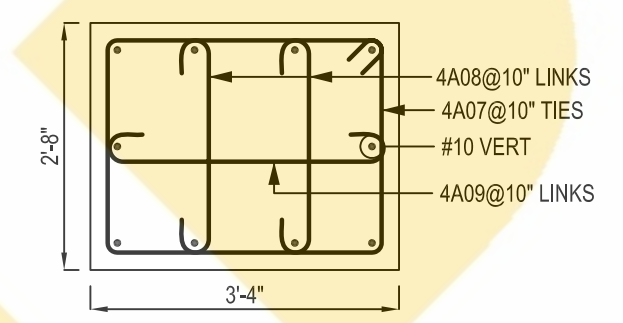
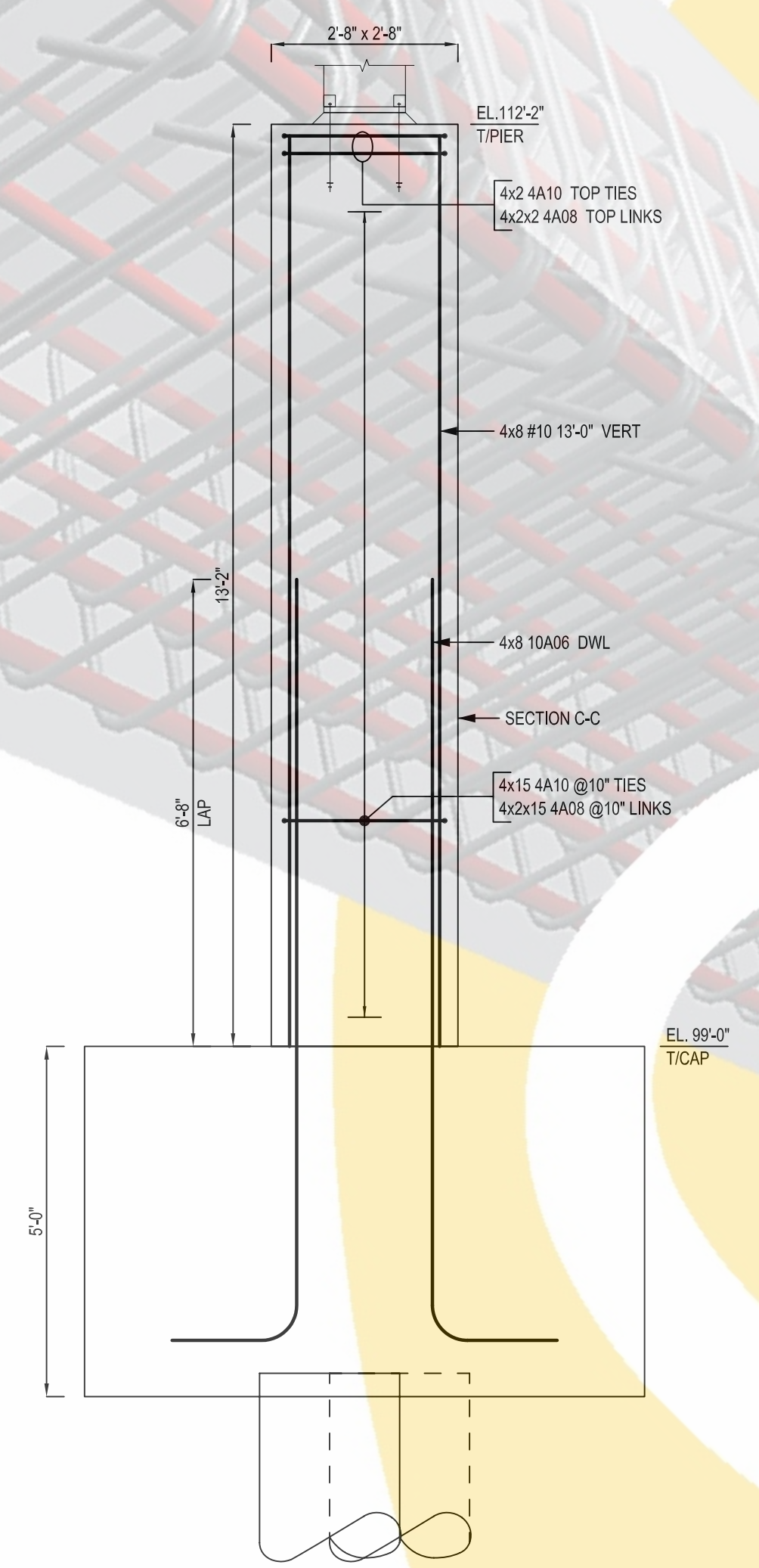
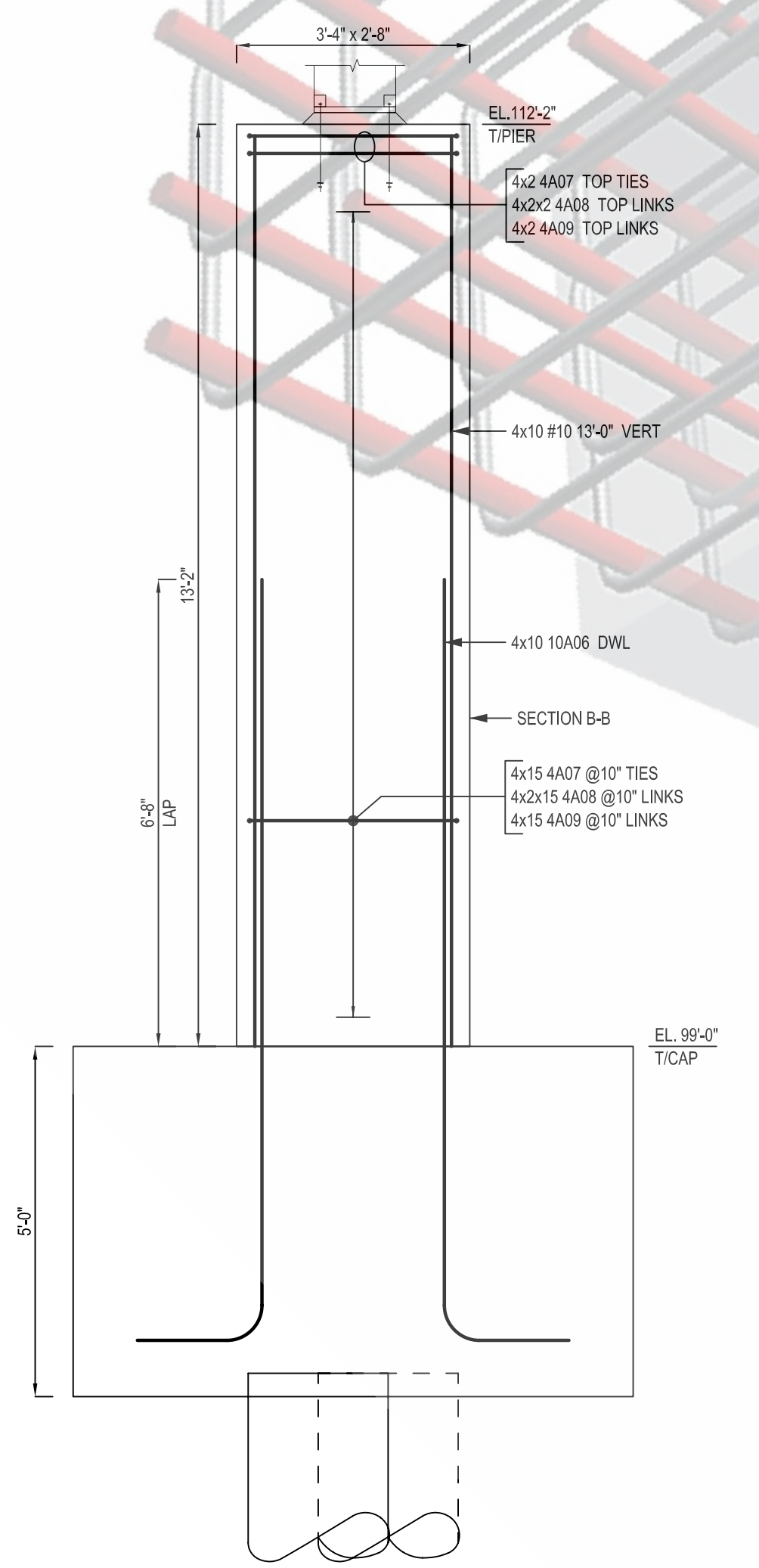
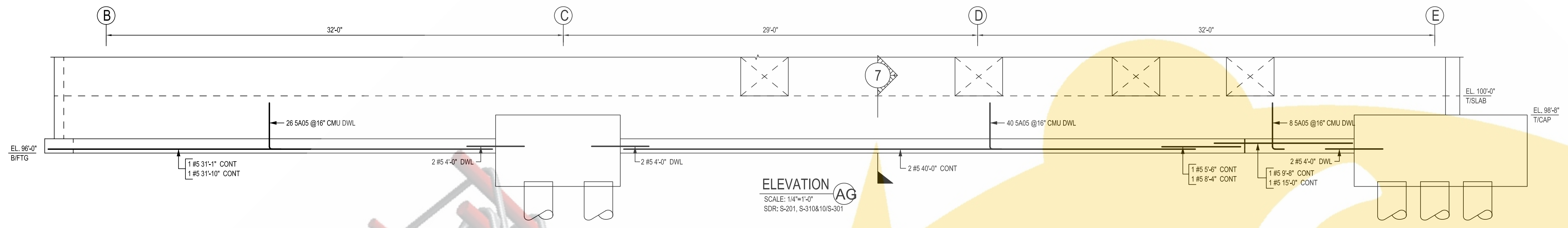
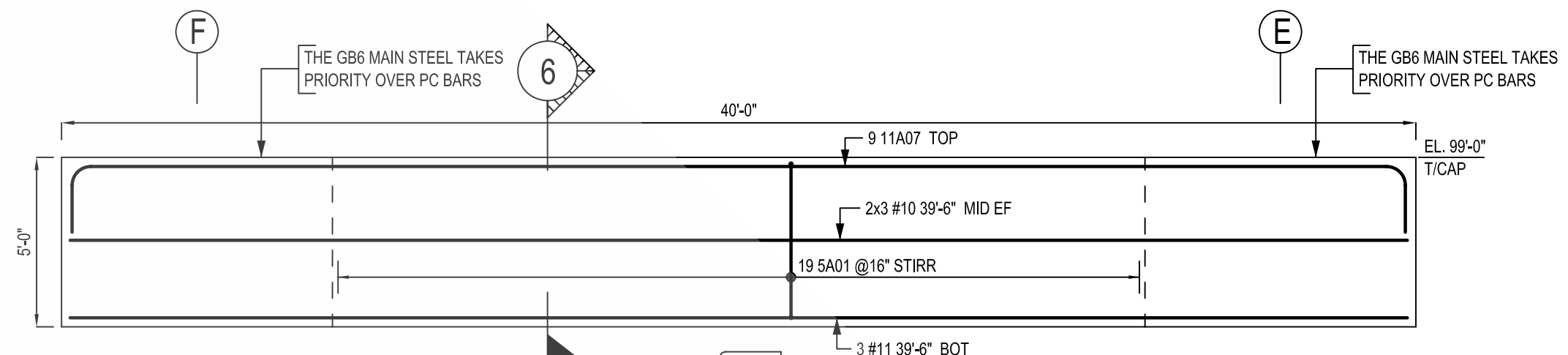
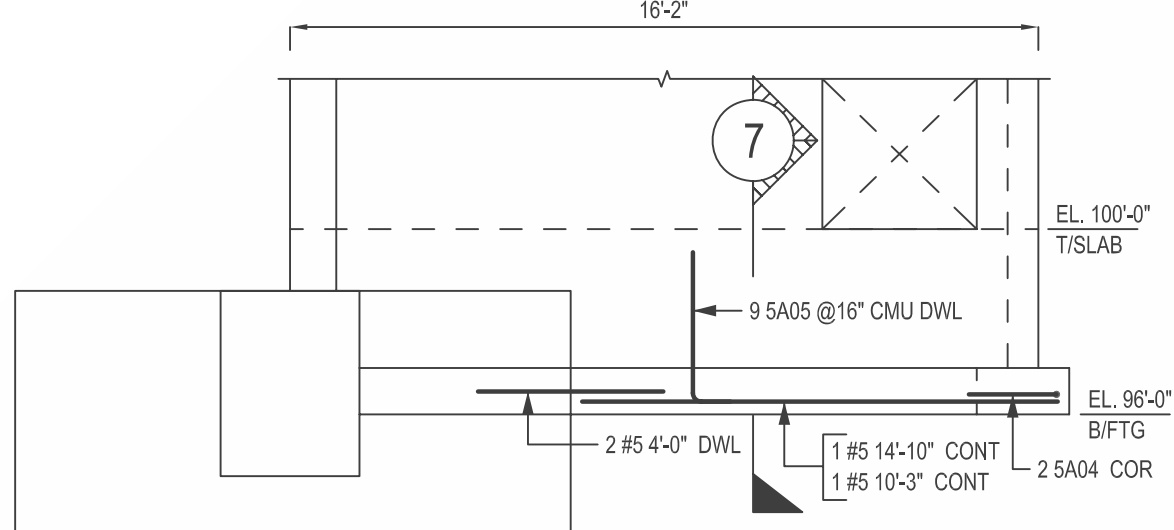
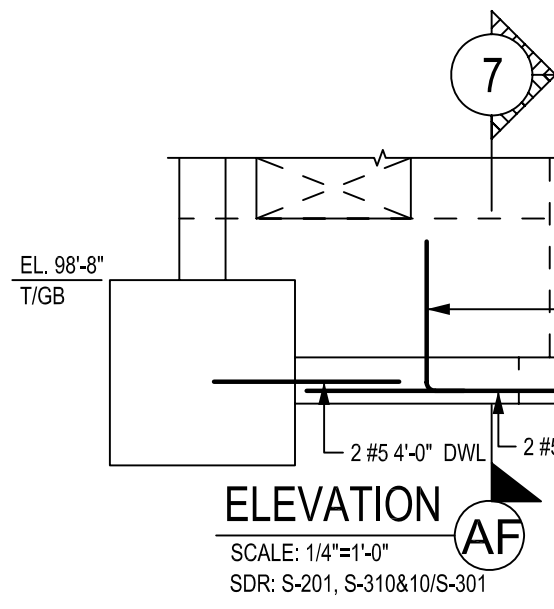
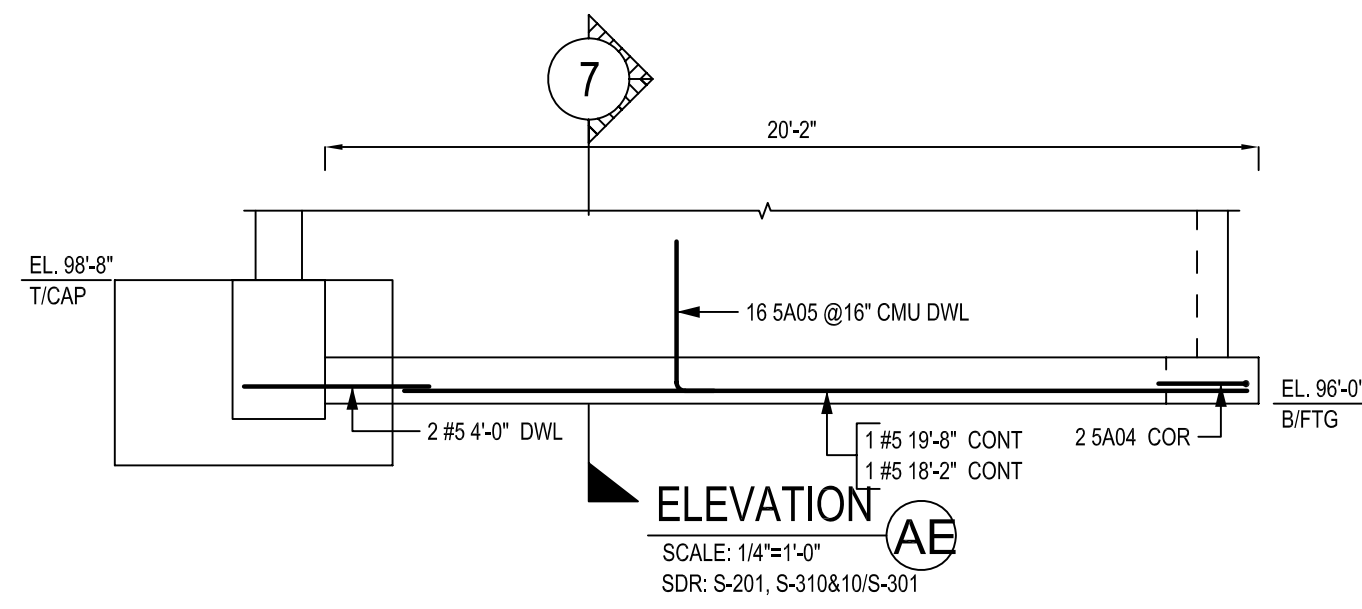
ELEVATION AC
SCALE: 1/4"=1'-0"
SDR: S-201, S-310
(3 LOC)

ELEVATION AC
SCALE: 1/4"=1'-0"
SDR: S-201, S-310
(3 LOC)

ELEVATION AD
SCALE: 1/4"=1'-0"
SDR: S-201, S-310

ELEVATION AD
SCALE: 1/4"=1'-0"
SDR: S-201, S-310

ONCE REBAR SERVICES



LAP SCHEDULE (PILE CAP @ LAP SPLICE)

SIZE	4000 PSI (CLASS-A)	
	TOP	OTHERS
#3	19	15
#4	25	19
#5	31	24
#6	37	29
#7	54	42
#8	62	48
#9	70	54
#10	80	61
#11	95	74

LAP SCHEDULE (PILE CAP @ CJ JONT LAP)

SIZE	4000 PSI (CLASS-B)	
	TOP	OTHERS
#3	24	19
#4	32	25
#5	40	31
#6	48	37
#7	70	54
#8	80	62
#9	91	70
#10	104	80
#11	124	95

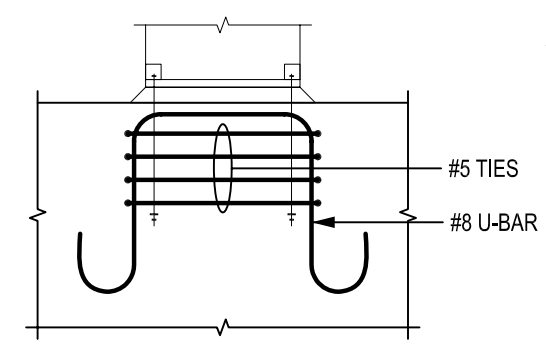
LAP SCHEDULE (COR BAR)

SIZE	36 BAR DIA
#3	14
#4	18
#5	23
#6	27
#7	32
#8	36
#9	41
#10	46
#11	51

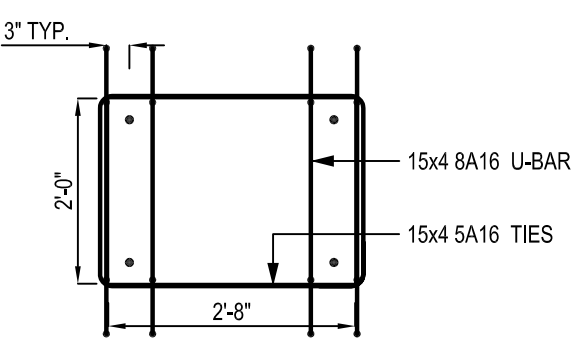
LAP SCHEDULE (WALL)

SIZE	4000 PSI (CLASS B)
	#4
#5	19
#6	26
#7	42
#8	53
#9	70
#10	80
#11	95

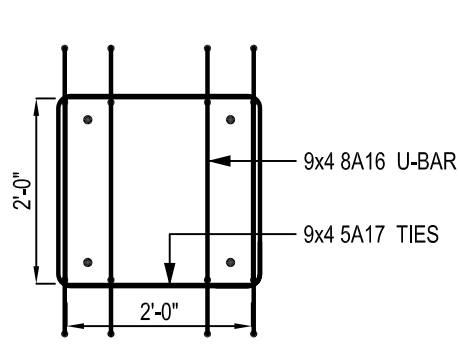
ONCE REBAR SERVICES



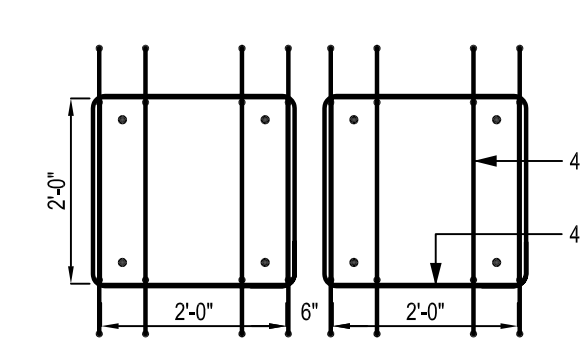
SECTION D-D
SCALE: 1/2"=1'-0"
SDR: 3/S-301 & F1/E210



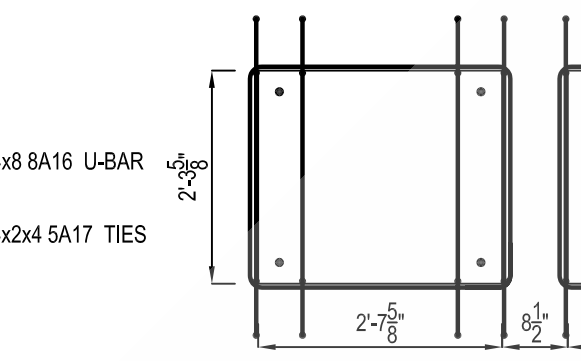
SECTION D-1
ANCHOR BOLT - B2
SCALE: 1/2"=1'-0"
SDR: F2/S-210
(15 LOC)



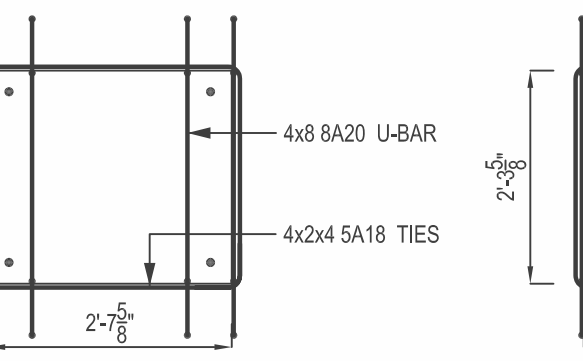
SECTION D-2
ANCHOR BOLT - B3
SCALE: 1/2"=1'-0"
SDR: F3/S-210
(9 LOC)



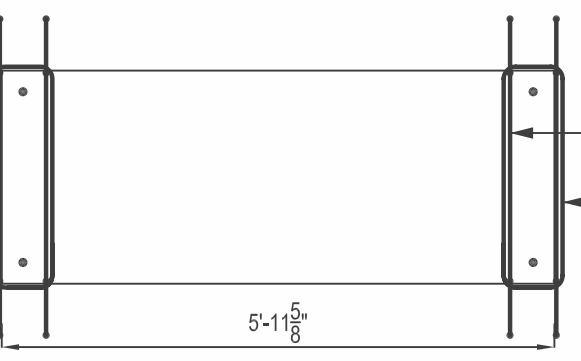
SECTION D-3
ANCHOR BOLT - B4
SCALE: 1/2"=1'-0"
SDR: F4/S-210
(4 LOC)



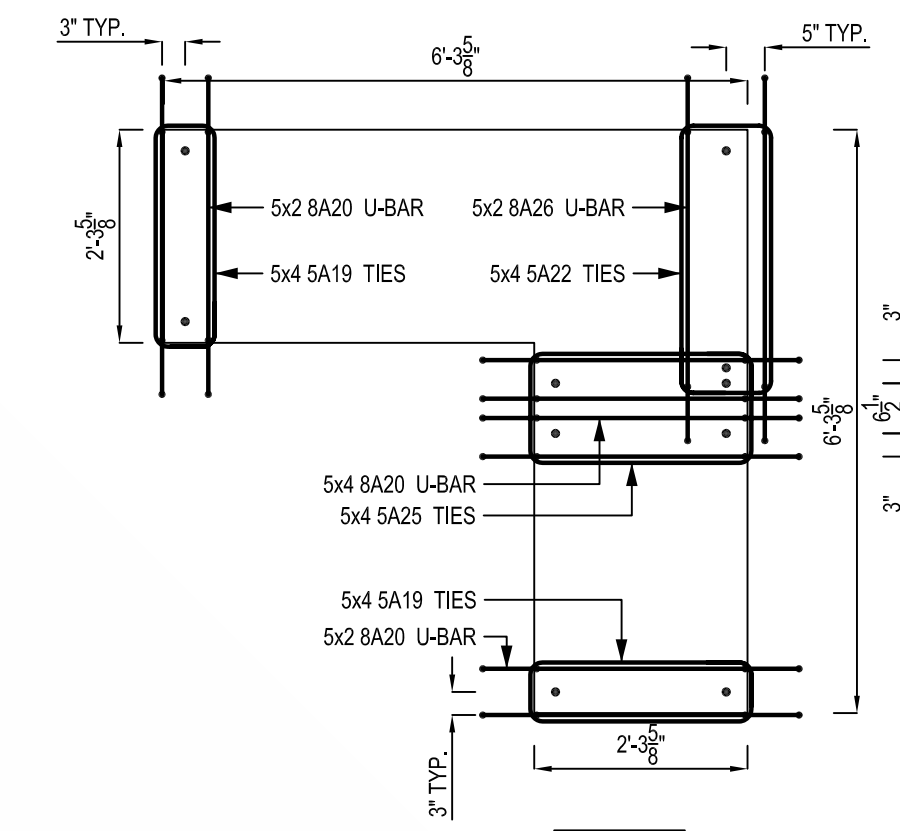
SECTION D-4
ANCHOR BOLT - B5
SCALE: 1/2"=1'-0"
SDR: F5/S-210
(4 LOC)



SECTION D-5
ANCHOR BOLT - B6
SCALE: 1/2"=1'-0"
SDR: F6/S-210
(4 LOC)



SECTION D-6
ANCHOR BOLT - B7
SCALE: 1/2"=1'-0"
SDR: F7/S-210
(12 LOC)



SECTION D-7
ANCHOR BOLT - B8
SCALE: 1/2"=1'-0"
SDR: F7/S-210
(5 LOC)

Release Number: R1.01-R1.10															
BENDING DETAILS															
Bar Mark	Qty	Size	Total Length	Type	A'	B'	C'	D'	E'	F'	G'	H'	J'	K'	U'
4A01	341	#4	7'-3"	T1	0'-4 1/2"	1'-8"	1'-7"	1'-8"	1'-7"		0'-4 1/2"				
4A02	26	#4	4'-0"	T1			2'-0"	2'-0"							
4A03	158	#4	7'-2"	2	0'-8"	6'-6"									
4A04	21	#4	6'-6"	17		4'-0"	2'-6"								
4A05	48	#4	3'-0"	17		1'-6"	1'-6"								
4A06	512	#4	9'-4 1/2"	T3			7'-10 1/2"				1'-6"				2'-6"
4A07	68	#4	11'-5"	T1	0'-4 1/2"	3'-0"	2'-4"	3'-0"	2'-4"		0'-4 1/2"				
4A08	272	#4	3'-4"	T17		0'-6"	2'-4"								
4A09	68	#4	4'-0"	T17		0'-6"	3'-0"				0'-6"				
4A10	68	#4	10'-1"	T1	0'-4 1/2"	2'-4"	2'-4"	2'-4"	2'-4"		0'-4 1/2"				
4A11	498	#4	7'-7"	S3	0'-4 1/2"	2'-7"	1'-8"	2'-7"			0'-4 1/2"	0'-3"			
4A12	498	#4	2'-5"	T9	0'-4 1/2"	1'-8"					0'-4 1/2"				
5A01	76	#5	15'-5"	T1	0'-5 1/2"	2'-8"	4'-7"	2'-8"	4'-7"		0'-5 1/2"				
5A02	548	#5	24'-3"	T1	0'-5 1/2"	7'-5"	4'-3"	7'-5"	4'-3"		0'-5 1/2"				
5A03	76	#5	6'-6"	17		4'-0"	2'-6"								
5A04	10	#5	3'-10"	17		1'-11"	1'-11"								
5A05	181	#5	4'-1"	2	0'-10"	3'-3"									
5A09	548	#5	12'-0 1/2"	S3	0'-5 1/2"	4'-3"	2'-7 1/2"	4'-3"			0'-5 1/2"	0'-3 1/2"			
5A10	268	#5	10'-9"	S3	0'-5 1/2"	3'-7"	2'-8"	3'-7"			0'-5 1/2"	0'-3 1/2"			
5A11	268	#5	9'-6 1/2"	S3	0'-5 1/2"	3'-7"	1'-5 1/2"	3'-7"			0'-5 1/2"	0'-3 1/2"			
5A12	268	#5	3'-7 1/2"	T9	0'-5 1/2"	2'-8"					0'-6"				
5A13	97	#5	11'-9"	S3	0'-5 1/2"	3'-7"	3'-8"	3'-7"			0'-5 1/2"	0'-3 1/2"			
5A14	97	#5	10'-5"	S3	0'-5 1/2"	3'-7"	2'-4"	3'-7"			0'-5 1/2"	0'-3 1/2"			
5A15	97	#5	4'-7 1/2"	T9	0'-5 1/2"	3'-8"					0'-6"				
5A16	60	#5	11'-0"	T2	0'-6"	2'-1 1/2"	2'-10 1/2"	2'-1 1/2"	2'-10 1/2"		0'-6"				
5A17	68	#5	9'-8"	T2	0'-6"	2'-1 1/2"	2'-2 1/2"	2'-1 1/2"	2'-2 1/2"		0'-6"				
5A18	32	#5	11'-7"	T2	0'-6"	2'-5 1/2"	2'-10 1/2"	2'-5 1/2"	2'-10 1/2"		0'-6"				
5A19	160	#5	7'-3"	T2	0'-6"	2'-5 1/2"	0'-8 1/2"	2'-5 1/2"	0'-8 1/2"		0'-6"				
5A21	96	#5	6'-3"	T2	0'-6"	1'-11 1/2"	0'-8 1/2"	1'-11 1/2"	0'-8 1/2"		0'-6"				
5A22	20	#5	8'-11"	T2	0'-6"	2'-11 1/2"	1'-0 1/2"	2'-11 1/2"	1'-0 1/2"		0'-6"				
5A25	20	#5	8'-4"	T2	0'-6"	2'-5 1/2"	1'-2 1/2"	2'-5 1/2"	1'-2 1/2"		0'-6"				
5A26	21	#5	9'-5"	25		1'-6"	2'-9 1/2"	0'-10"	2'-9 1/2"	1'-6"	2'-8 1/2"	1'-4 1/2"			
5A27	12	#5	14'-6 1/2"	25		1'-6"	5'-4 1/2"	0'-10"	5'-4 1/2"	1'-6"	6'-2 1/2"	2'-7 1/2"			
6A01	180	#6	7'-4"	17		6'-6"	0'-10"								
6A02	17	#6	8'-10"	17		8'-0"	0'-10"								
6A03	642	#6	7'-5"	2	1'-0"	6'-5"									
6A04	357	#6	13'-10"	17		13'-0"	0'-10"								
7A01	270	#7	7'-4"	17		6'-6"	0'-10"								
7A02	24	#7	8'-10"	17		8'-0"	0'-10"								
7A03	1029	#7	8'-11"	2	1'-2"	7'-9"									
7A04	588	#7	13'-10"	17		13'-0"	0'-10"								
8A01	3	#8	18'-4"	2	1'-4"	15'-8"					1'-4"				
8A02	3	#8	25'-3"	2	1'-4"	23'-11"									
8A03	384	#8	8'-8"	20		1'-4"	6'-4"	1'-0"							
8A04	128	#8	9'-0"	20		1'-4"	6'-8"	1'-0"							
8A05	2	#8	13'-0"	20		1'-4"	10'-4"	1'-4"							
8A06	4	#8	10'-6"	20		1'-4"	7'-10"	1'-4"							
8A07	3	#8	26'-7"	2	1'-4"	25'-3"									
8A08	3	#8	28'-11"	2	1'-4"	27'-7"									
8A09	3	#8	18'-3"	2	1'-4"	16'-11"									
8A10	3	#8	16'-9"	2	1'-4"	15'-5"									
8A11	3	#8	30'-2"	2	1'-4"	28'-10"									
8A12	24	#8	28'-7"	2	1'-4"	27'-3"									
8A13	18	#8	29'-11"	2	1'-4"	28'-7"									
8A14	6	#8	28'-2"	2	1'-4"	26'-10"									
8A15	3	#8	38'-8"	2	1'-4"	36'-0"									
8A16	128	#8	7'-10"	S7	0'-11"	2'-0"	2'-0"	2'-0"	2'-0"		0'-11"	0'-8"	0'-8"		
8A20	132	#8	8'-2"	S7	0'-11"	2'-0"	2'-0"	2'-0"	2'-0"		0'-11"	0'-8"	0'-8"		
8A24	48	#8	7'-8"	S7	0'-11"	2'-0"	1'-10"	2'-0"	2'-0"		0'-11"	0'-8"	0'-8"		
8A26	10	#8	8'-8"	S7	0'-11"	2'-0"	2'-10"	2'-0"	2'-0"		0'-11"	0'-8"	0'-8"		
9A01	174	#9	7'-11"	1	1'-3"	5'-5"					1'-3"	0'-11 1/2"			
9A02	396	#9	9'-1"	1	1'-3"	6'-7"					1'-3"	0'-11 1/2"			
9A03	17	#9	9'-11"	1	1'-3"	7'-5"					1'-3"	0'-11 1/2"			
9A04	4	#9	6'-5 1/2"	1	1'-3"	3'-11 1/2"					1'-3"	0'-11 1/2"			
9A05	2	#9	7'-6"	1	1'-3"	5'-0"					1'-3"	0'-11 1/2"			
9A06	2	#9	8'-0"	1	1'-3"	5'-6"					1'-3"	0'-11 1/2"			
9A07	1	#9	8'-6"	1	1'-3"	6'-0"					1'-3"	0'-11 1/2"			

Release Number: R1.01-R1.10															
BENDING DETAILS															
Bar Mark	Qty	Size	Total Length	Type	A'	B'	C'	D'	E'	F'	G'	H'	J'	K'	U'
9A08	2	#9	7'-0"	1	1'-3"	4'-6"					1'-3"		0'-11 1/2"		
9A09	2	#9	5'-11"	1	1'-3"	3'-5"					1'-3"		0'-11 1/2"		
9A10	1	#9	6'-6"	1	1'-3"	4'-0"					1'-3"		0'-11 1/2"		
9A11	1	#9	6'-0 1/2"	1	1'-3"	3'-6 1/2"					1'-3"		0'-11 1/2"		
9A12	3	#9	17'-9"	2	1'-7"	14'-7"					1'-7"				
9A13	3	#9	36'-0"	2	1'-7"	32'-10"					1'-7"				
9A14	3	#9	34'-7"	2	1'-7"	31'-5"					1'-7"				
9A15	3	#9	53'-2"	2	1'-7"	50'-0"					1'-7"				
9A16	3	#9	47'-5"	2	1'-7"	44'-3"					1'-7"				
9A17	6	#9	26'-2"	2	1'-7"	24'-7"					1'-7"				
9A18	6	#9	24'-7"	2	1'-7"	23'-0"					1'-7"				
9A19	24	#9	43'-2"	2	1'-7"	40'-0"					1'-7"				
9A20	3	#9	21'-6"	2	1'-7"	19'-11"					1'-7"				
9A21	3	#9	22'-3"	2	1'-7"	20'-8"					1'-7"				
9A22	3	#9	42'-8"	2	1'-7"	39'-6"					1'-7"				
9A23	3	#9	18'-1"	2	1'-7"	14'-11"					1'-7"				
9A24	9	#9	24'-8"	2	1'-7"	23'-1"					1'-7"				
9A25	9	#9	26'-1"	2	1'-7"	24'-6"					1'-7"				
10A01	3	#10	26'-8"	2	1'-10"	23'-0"					1'-10"				
10A02	4	#10	22'-3"	2	1'-10"	20'-5"					1'-10"				
10A03	4	#10	31'-4"	2	1'-10"	27'-8"					1'-10"				
10A04	38	#10	15'-1"	2	1'-10"	11'-5"					1'-10"				
10A05	4	#10	19'-0"	2	1'-10"	15'-4"					1'-10"				
10A06	72	#10	12'-9"	2	1'-10"	10'-11"					1'-10"				
10A07	3	#10	15'-6"	2	1'-10"	11'-10"					1'-10"				
10A08	3	#10	19'-5"	2	1'-10"	15'-9"					1'-10"				
10A09	5	#10	31'-2"	2	1'-10"	27'-6"					1'-10"				
10A10	8	#10	28'-2"	2	1'-10"	24'-6"					1'-10"				
10A11	13	#10	40'-1"	2	1'-10"	36'-5"					1'-10"				
10A12	5	#10	32'-0"	2	1'-10"	28'-4"					1'-10"				
10A13	5	#10	29'-2"	2	1'-10"	25'-6"					1'-10"				
10A14	4	#10	24'-10"	2	1'-10"	21'-2"					1'-10"				
10A15	3	#10	51'-4"	2	1'-10"	47'-8"					1'-10"				
10A16	5	#10	37'-5"	2	1'-10"	33'-9"					1'-10"				