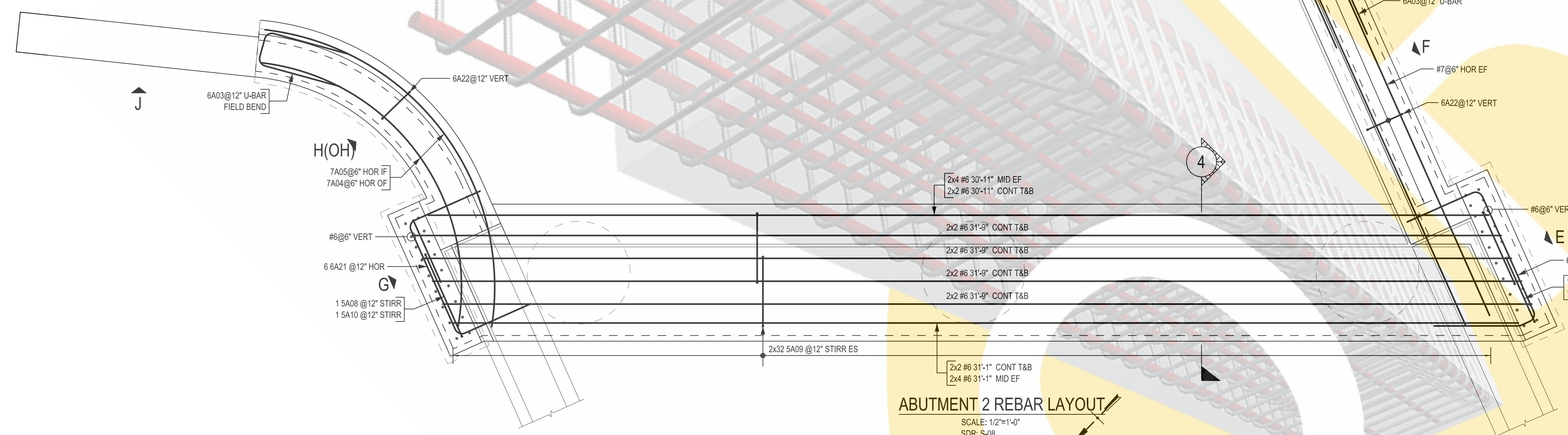
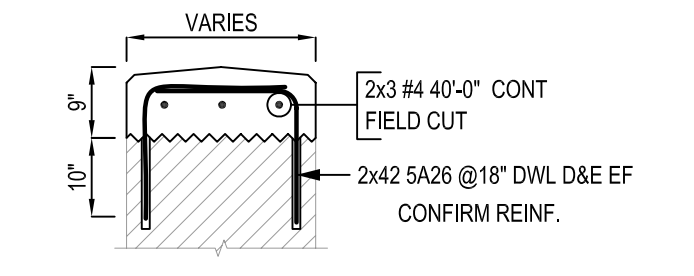
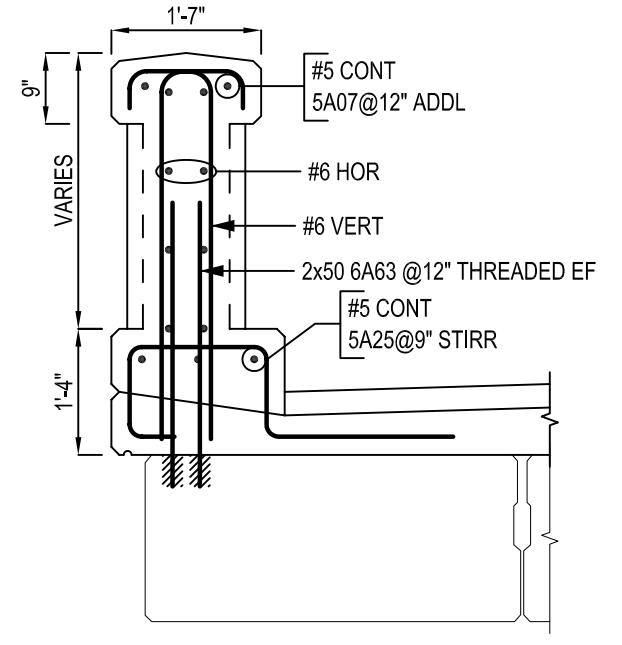
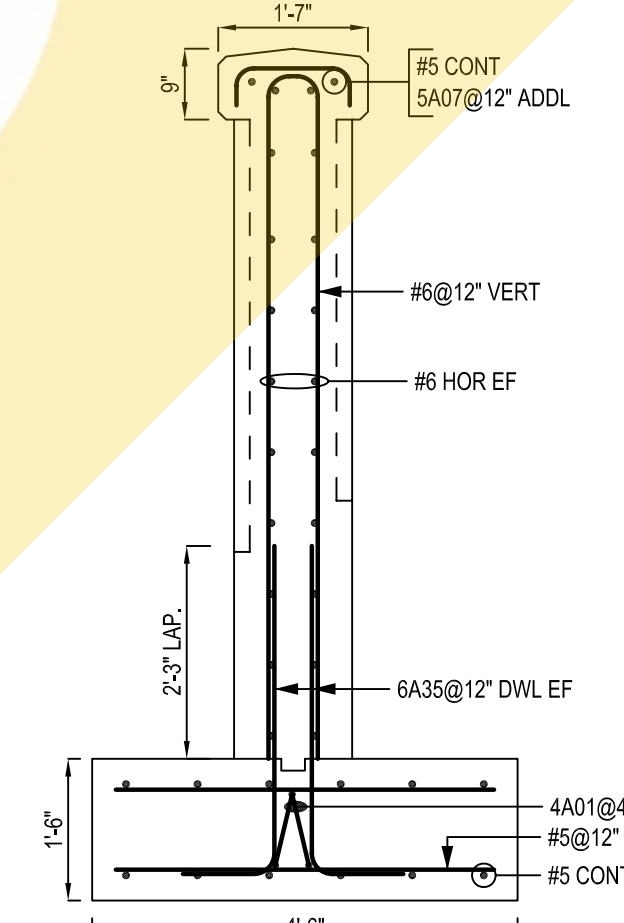
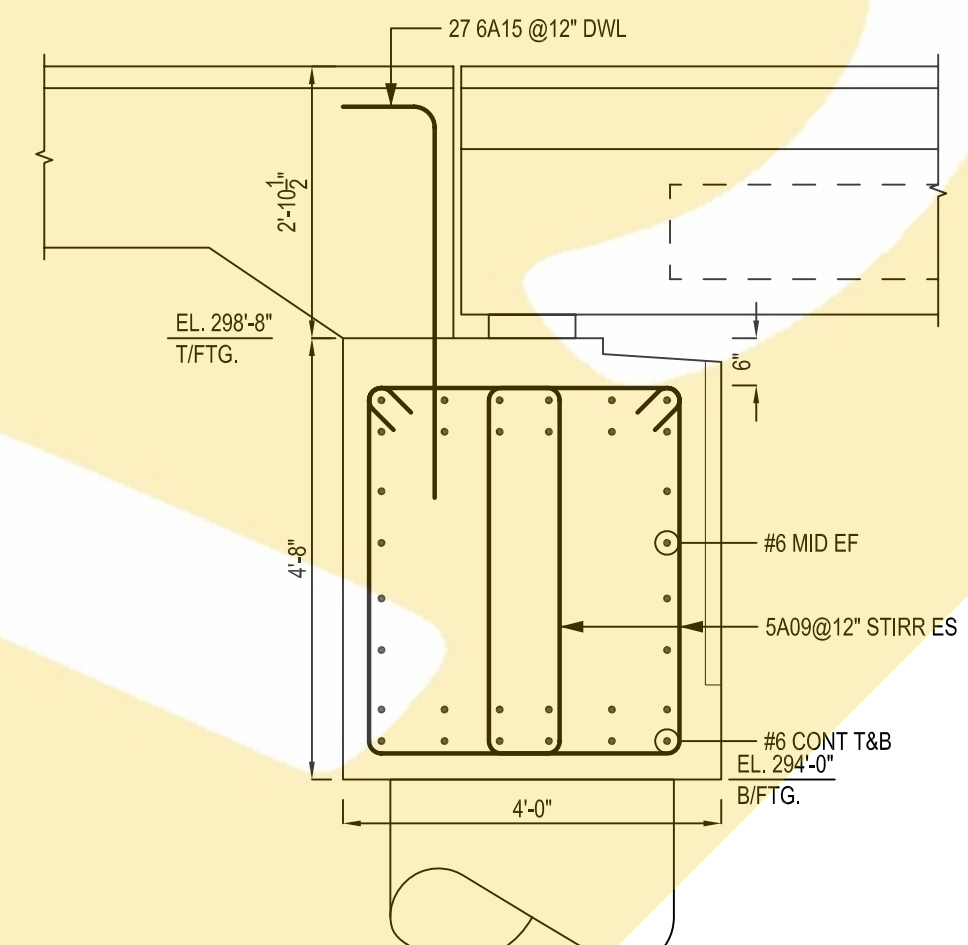
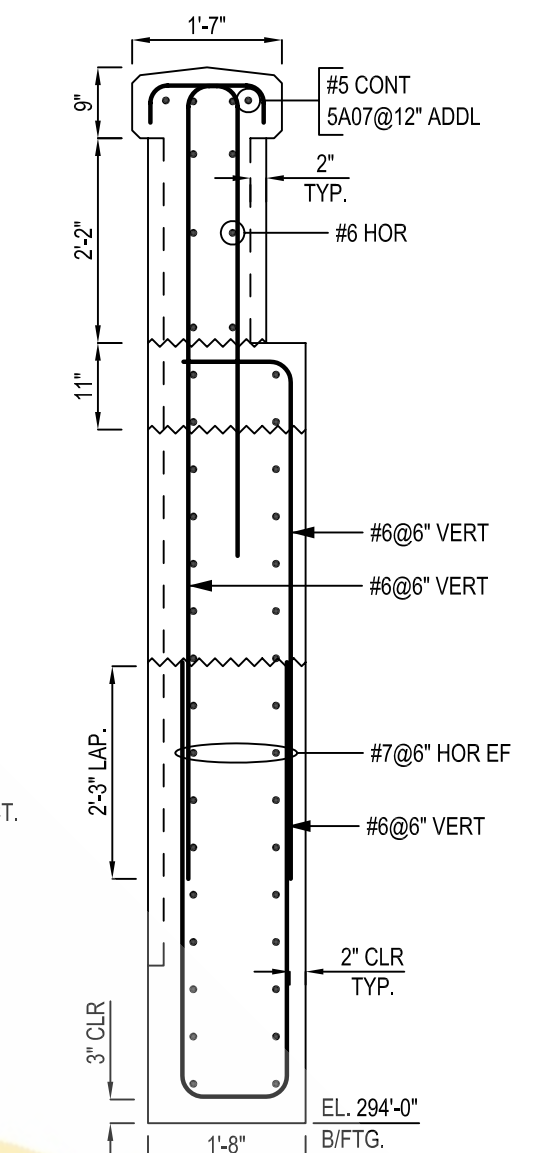
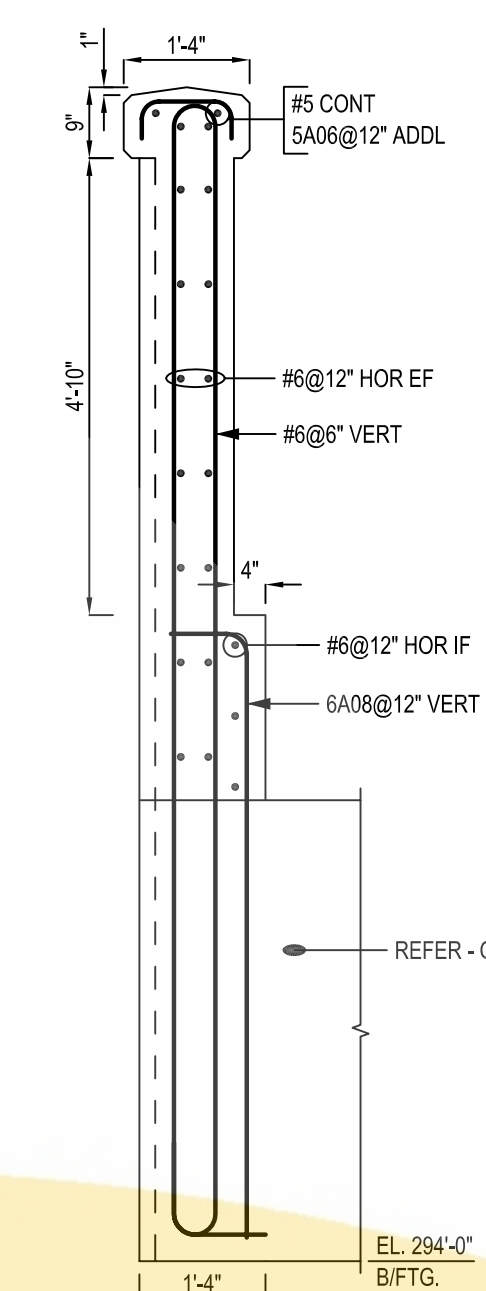
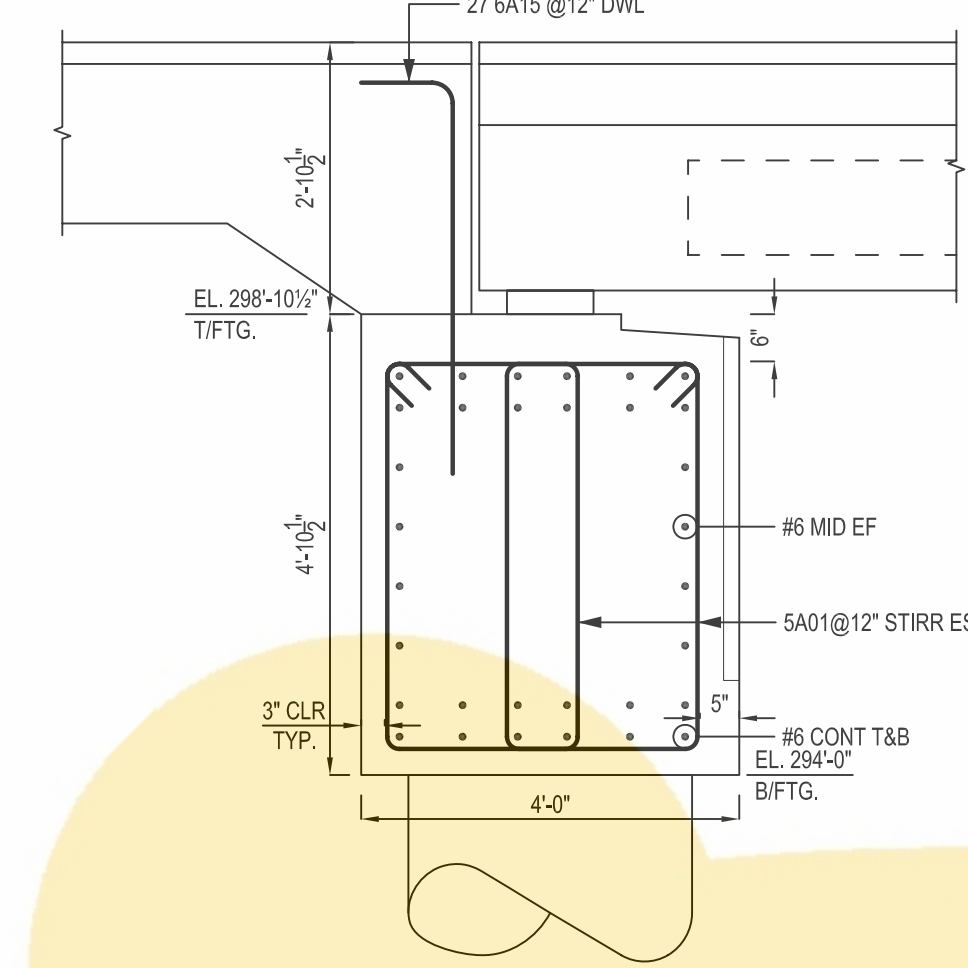


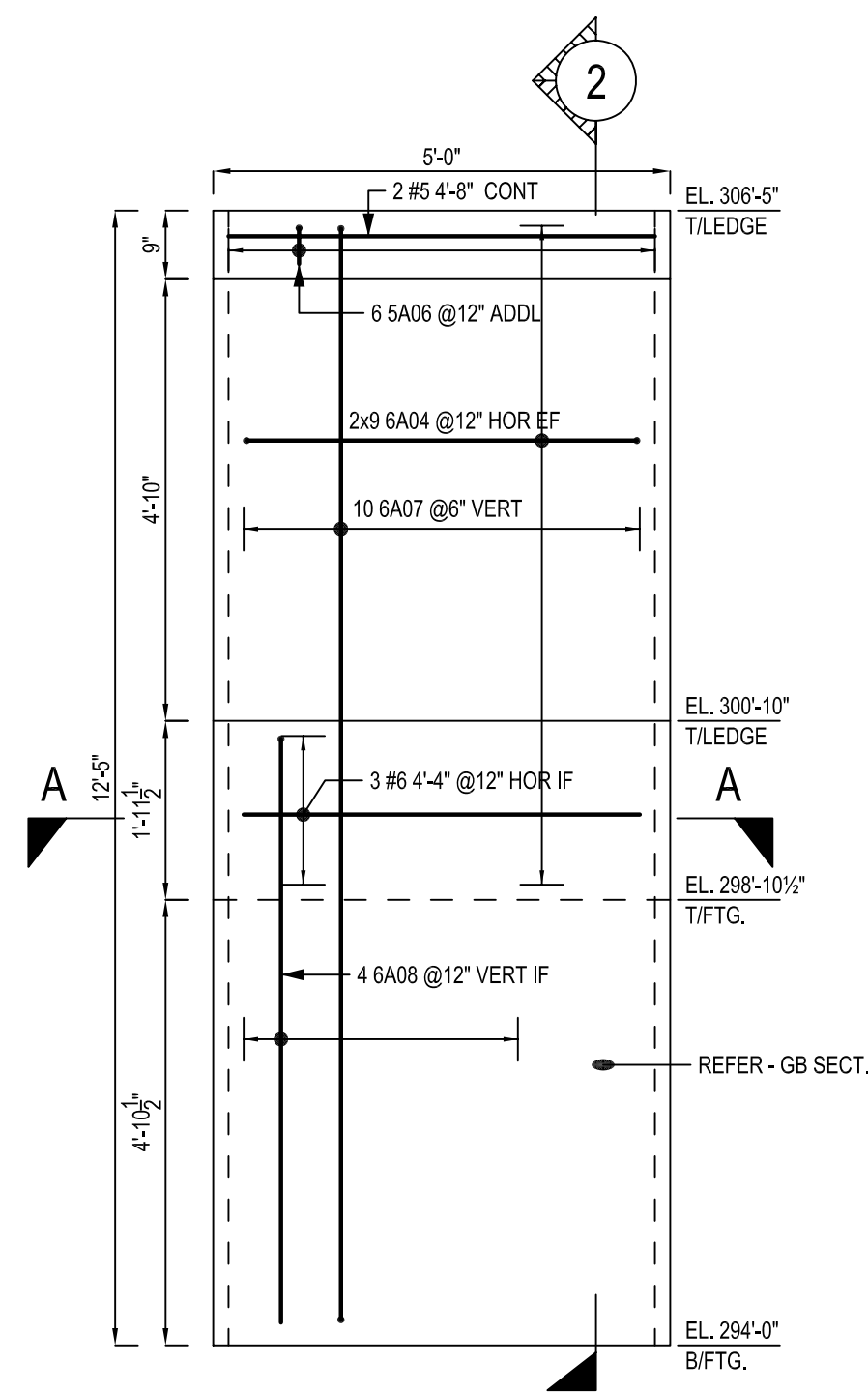
ABUTMENT 1 REBAR LAYOUT
SCALE: 1/2"=1'-0"
SDR: S-07



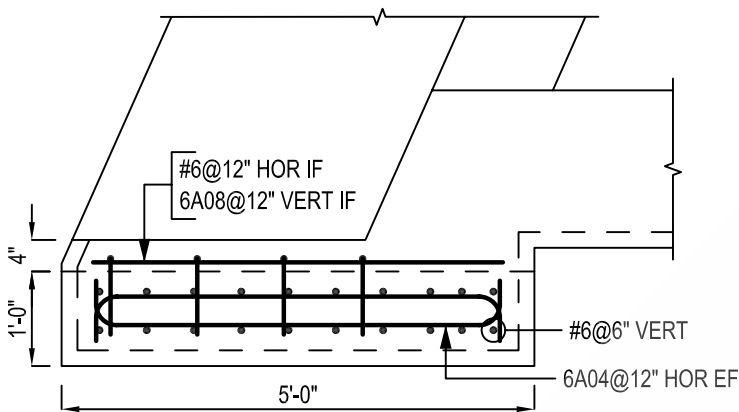
ABUTMENT 2 REBAR LAYOUT
SCALE: 1/2"=1'-0"
SDR: S-08



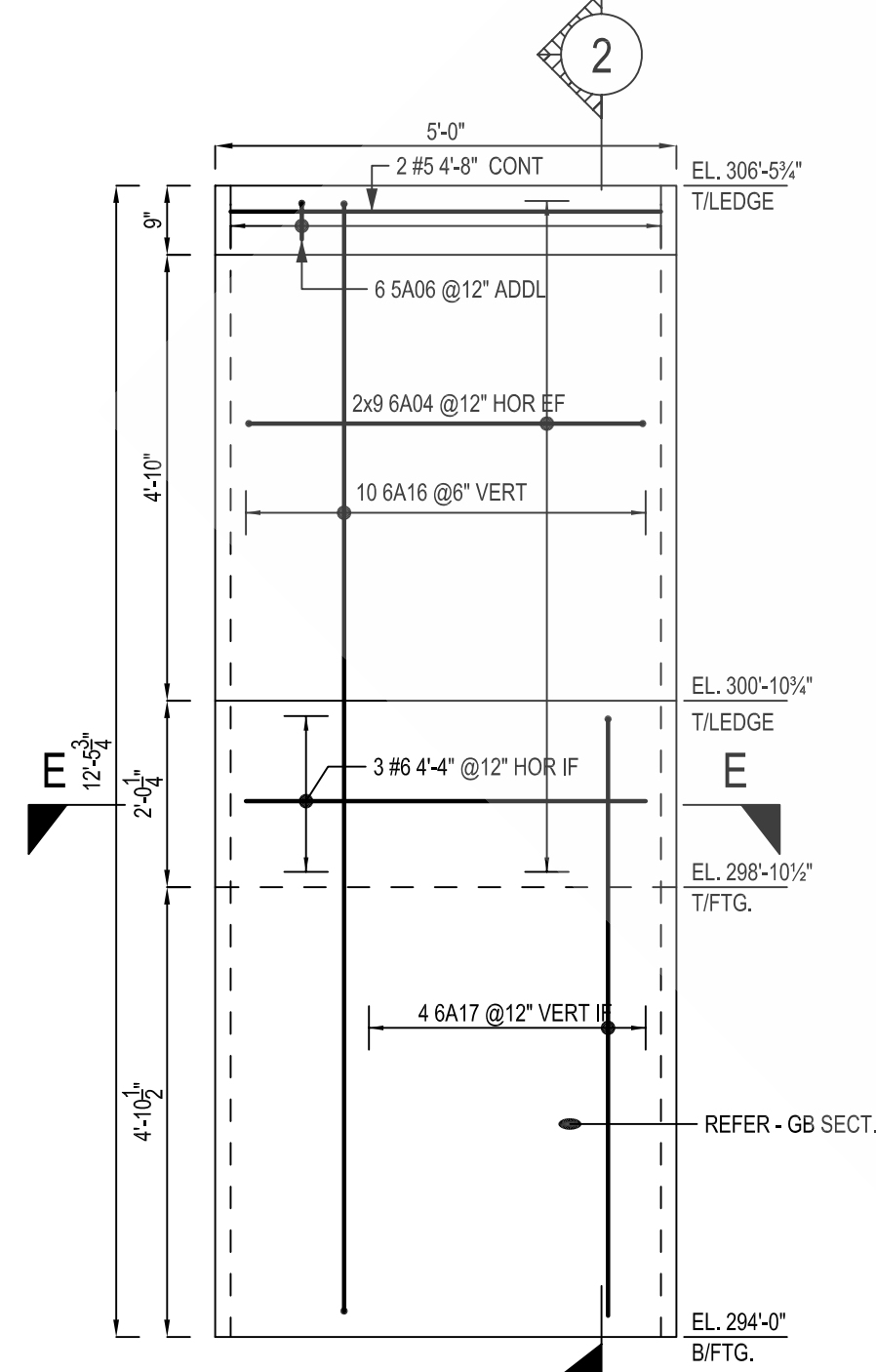
ONCE REBAR SERVICES



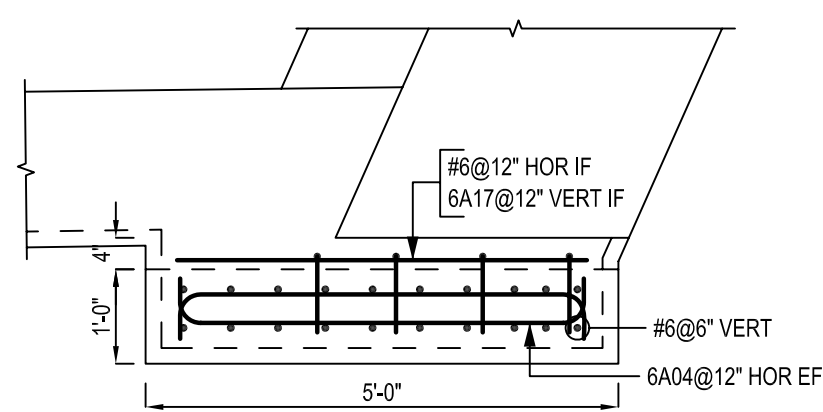
ELEVATION A
SCALE: 1/2"=1'-0"
SDR: S-098S-12
CONFIRM ELEV.



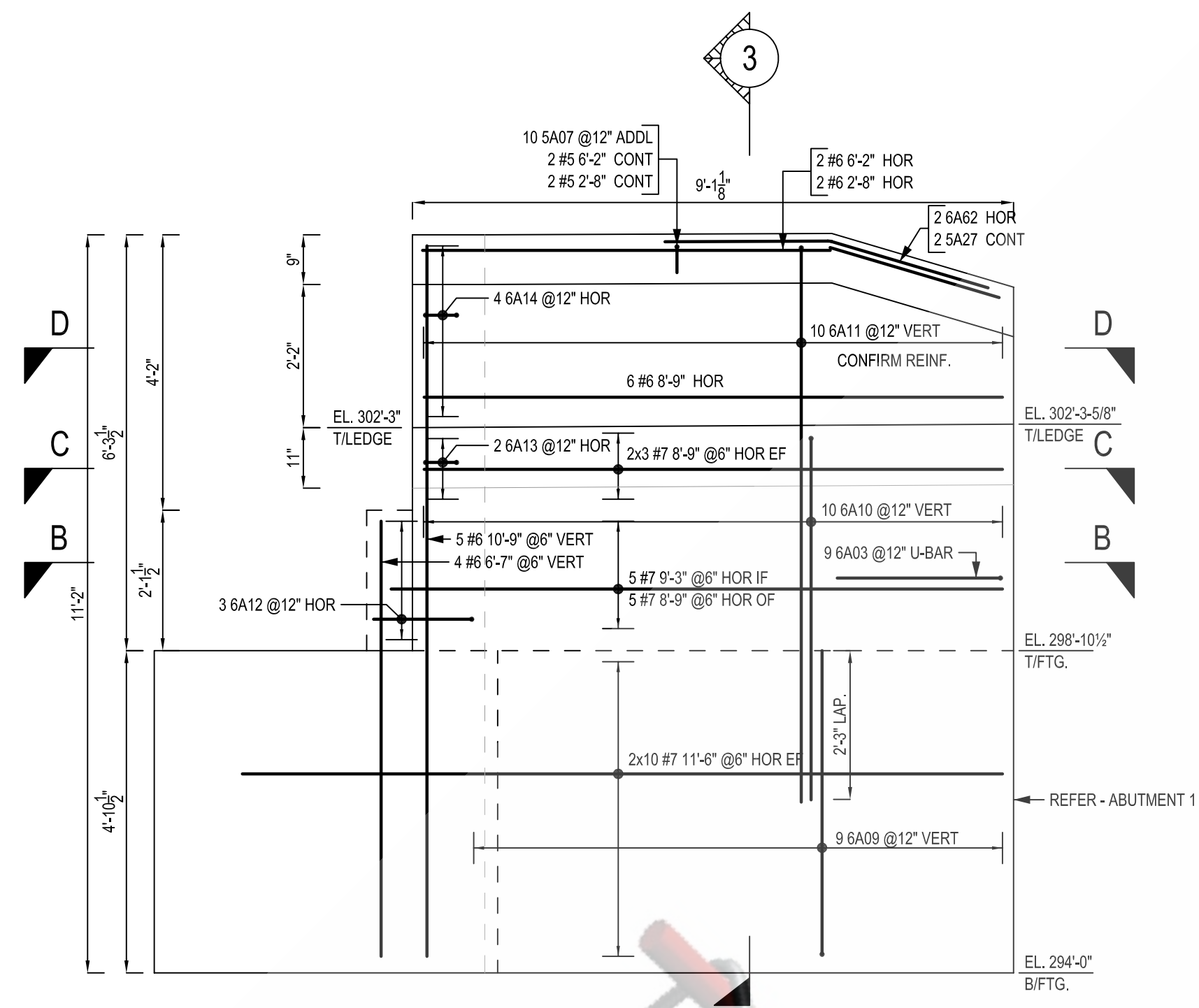
PLAN VIEW A-A
SCALE: 1/2"=1'-0"
SDR: D&E/S-12



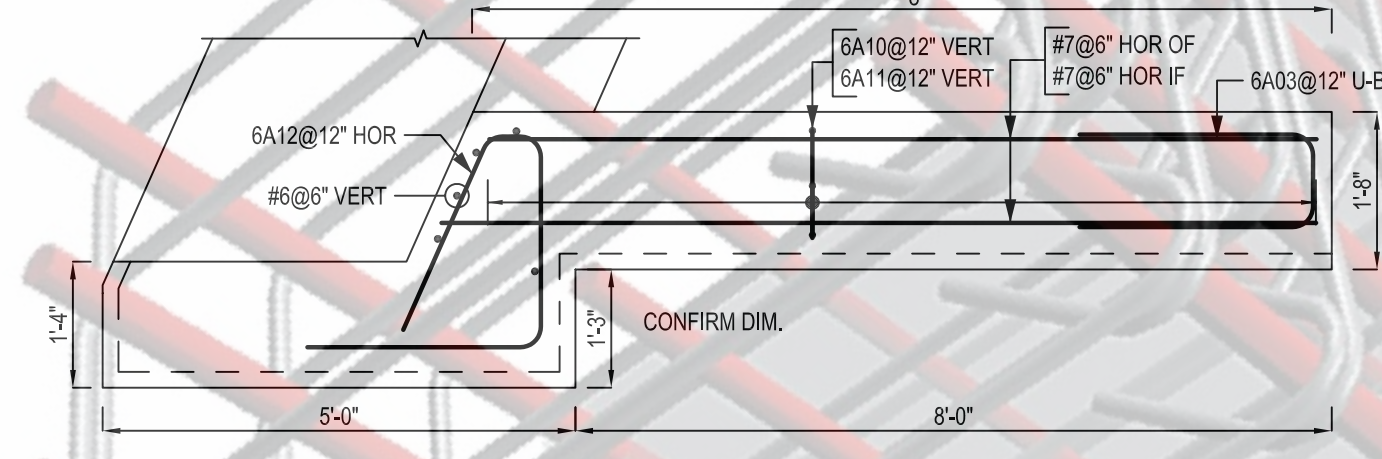
ELEVATION C
SCALE: 1/2"=1'-0"
SDR: S-098S-12



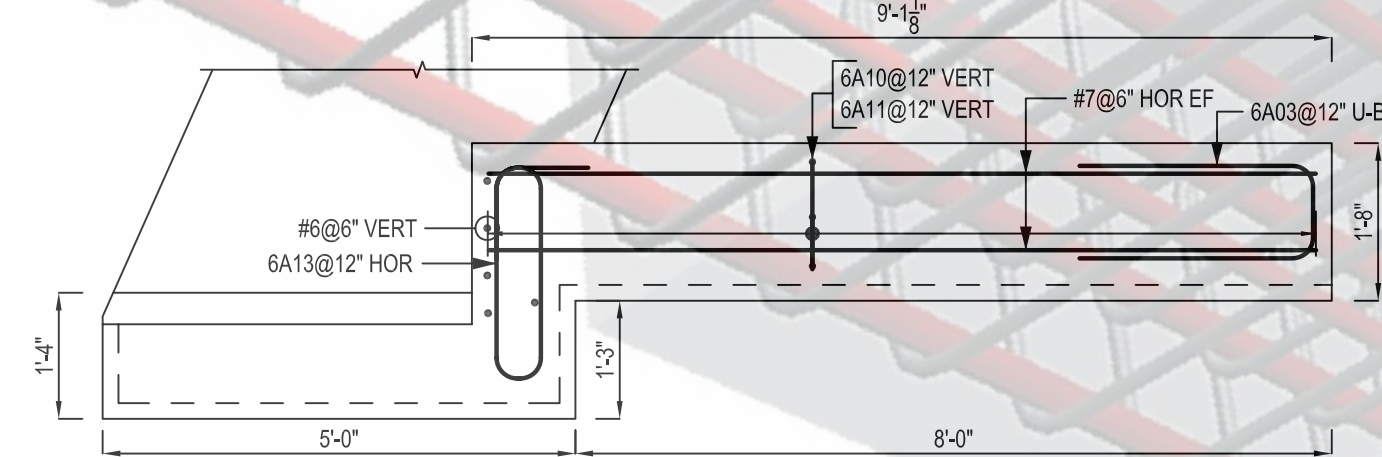
PLAN VIEW E-E
SCALE: 1/2"=1'-0"
SDR: D&E/S-12



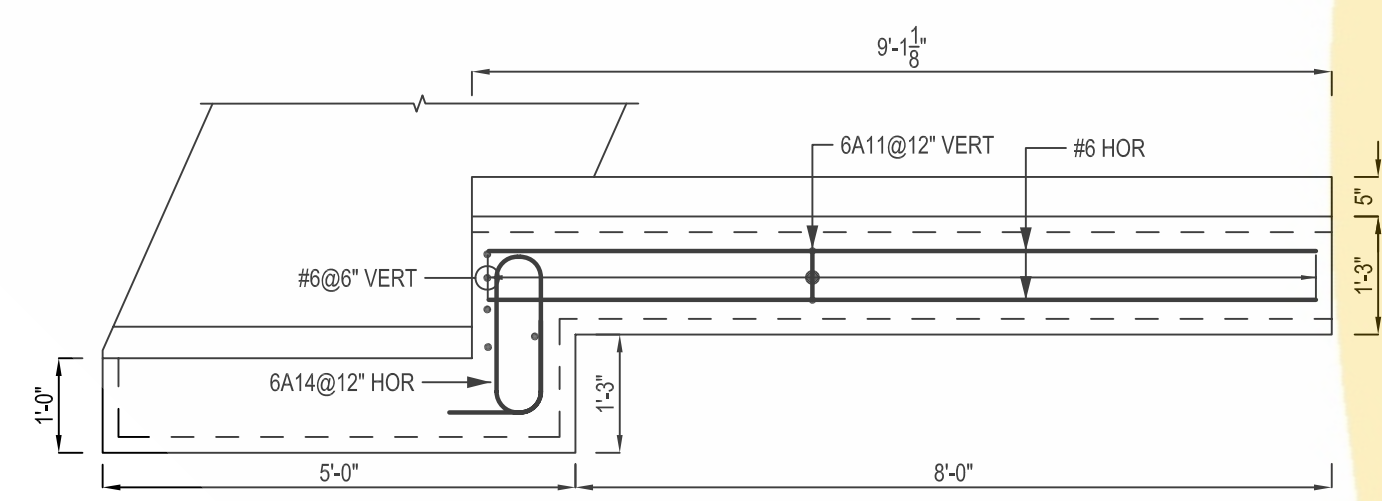
ELEVATION B
SCALE: 1/2"=1'-0"
SDR: S-098S-12



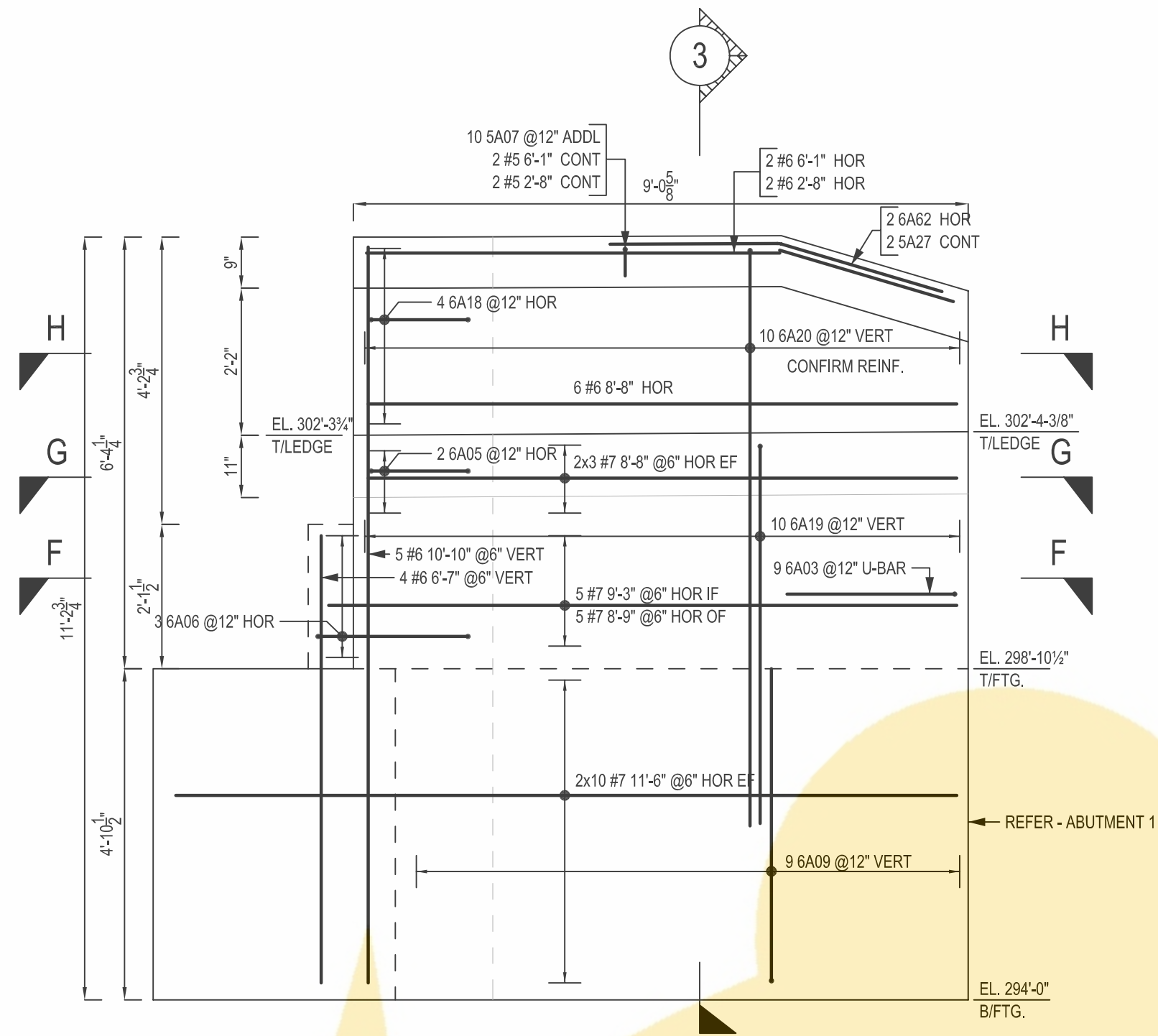
PLAN VIEW B-B
SCALE: 1/2"=1'-0"
SDR: D&E/S-12



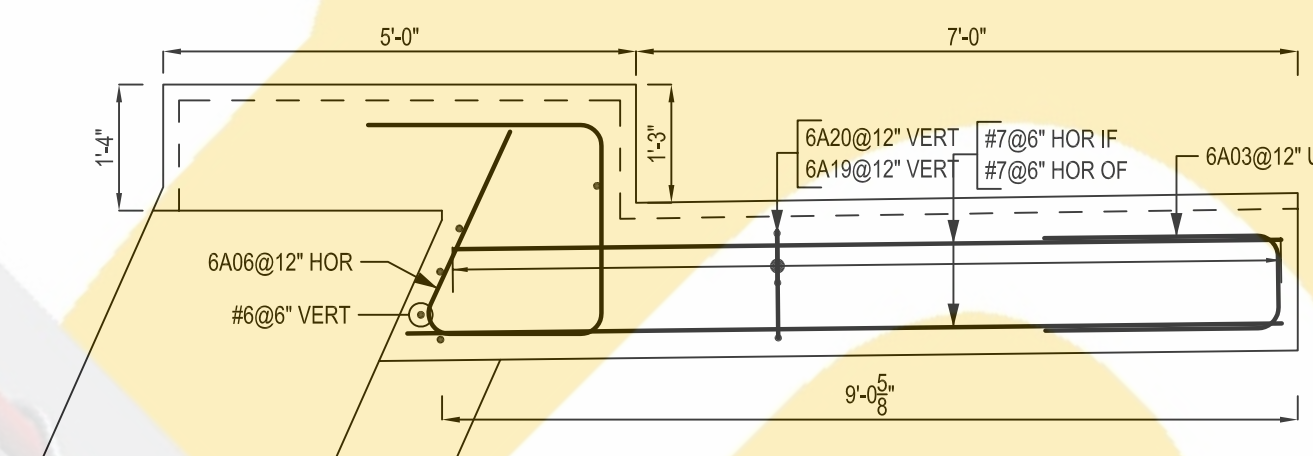
PLAN VIEW C-C
SCALE: 1/2"=1'-0"
SDR: D&E/S-12



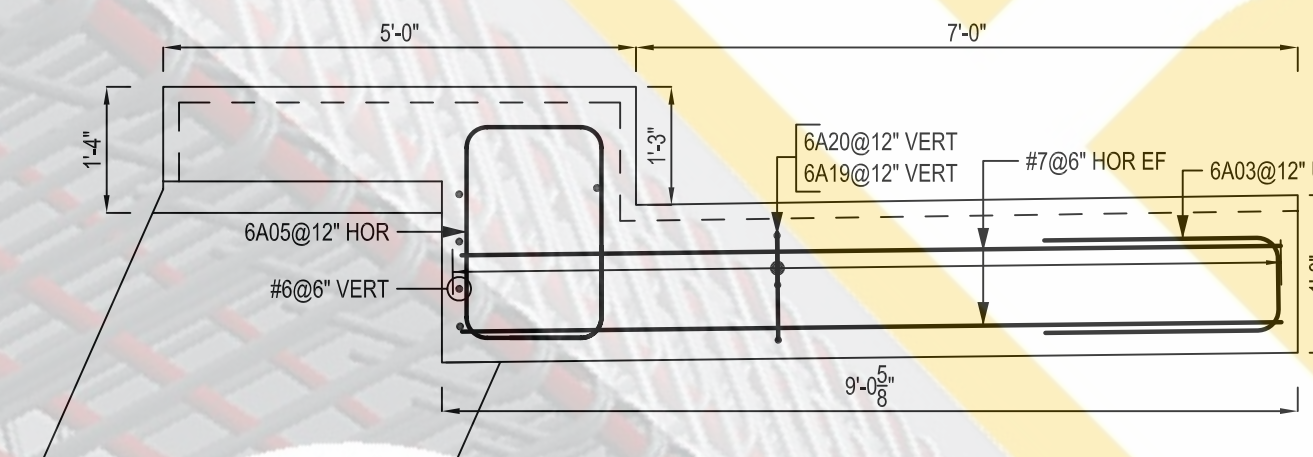
PLAN VIEW D-D
SCALE: 1/2"=1'-0"
SDR: D&E/S-12



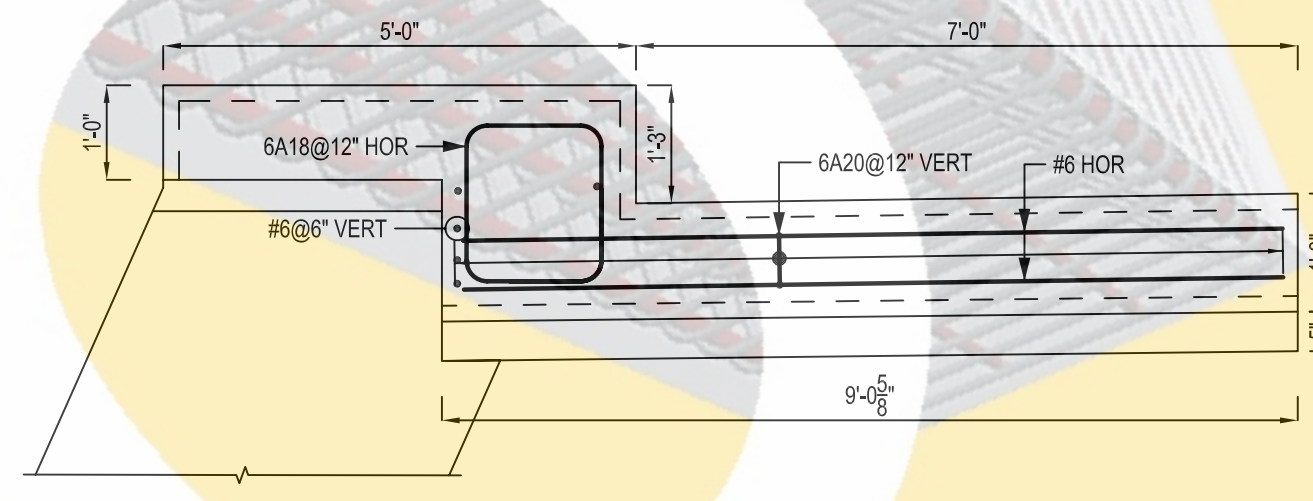
ELEVATION D
SCALE: 1/2"=1'-0"
SDR: S-098S-12



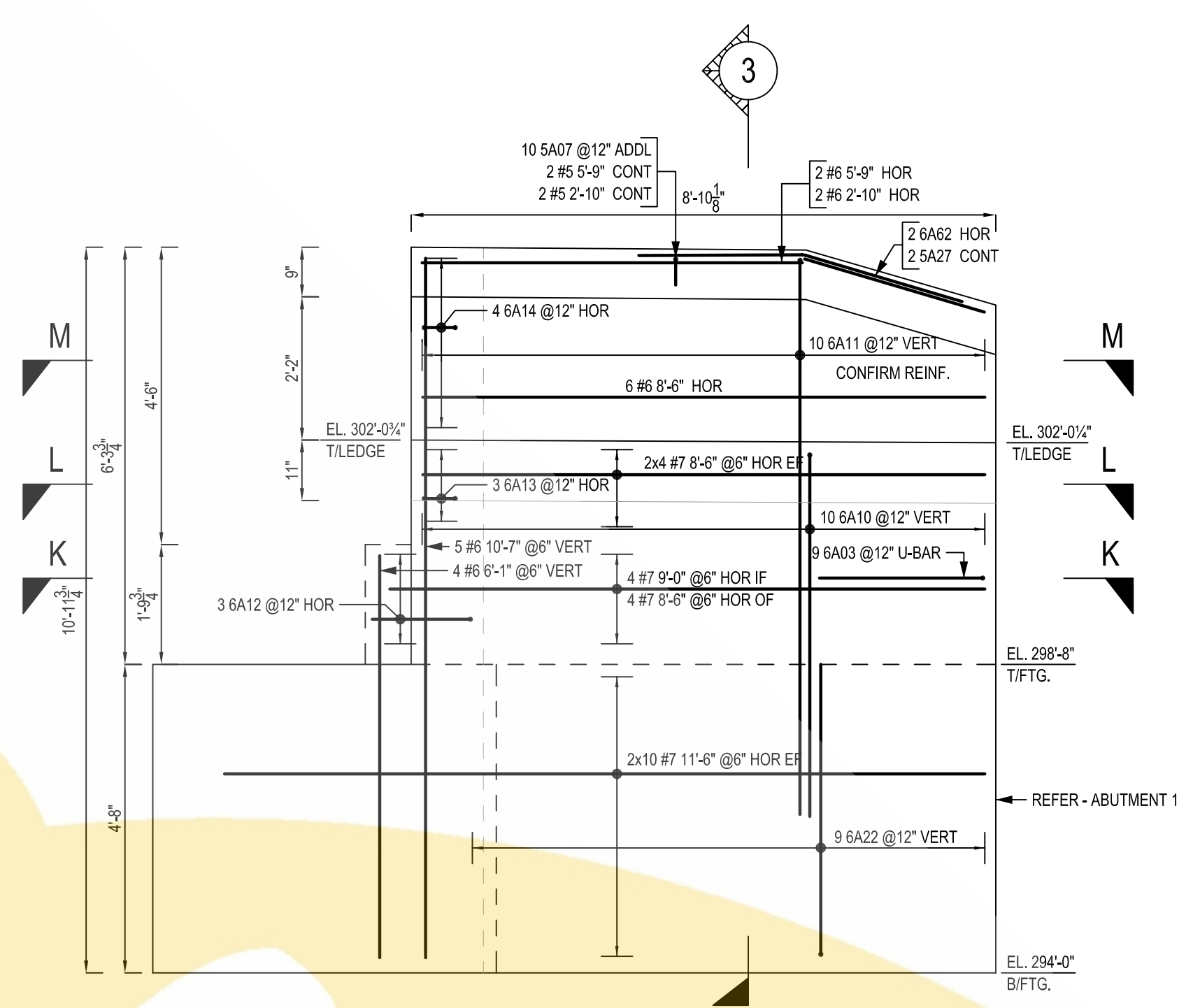
PLAN VIEW F-F
SCALE: 1/2"=1'-0"
SDR: D&E/S-12



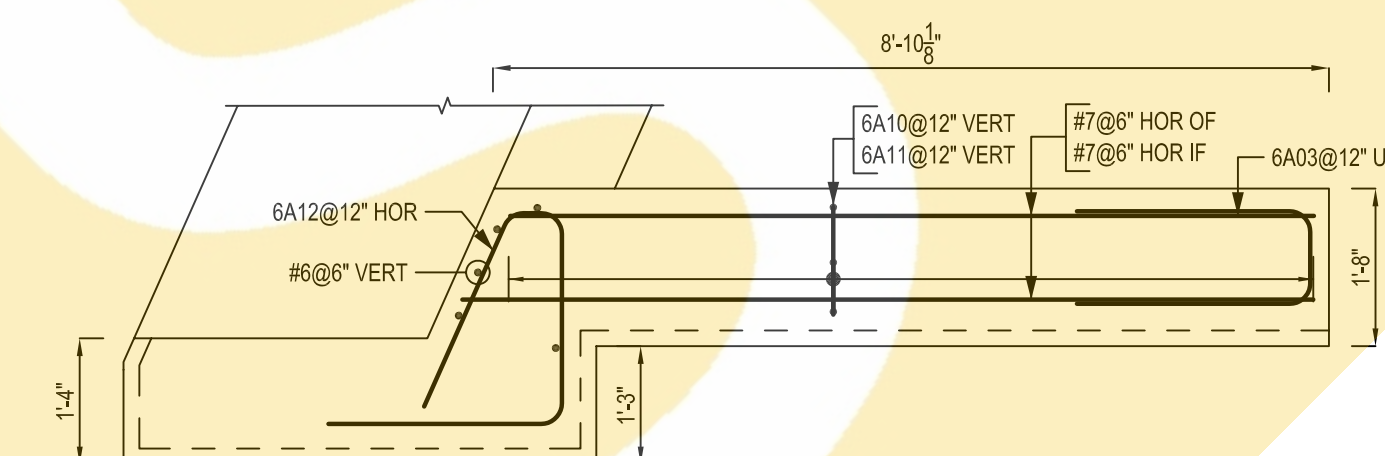
PLAN VIEW G-G
SCALE: 1/2"=1'-0"
SDR: D&E/S-12



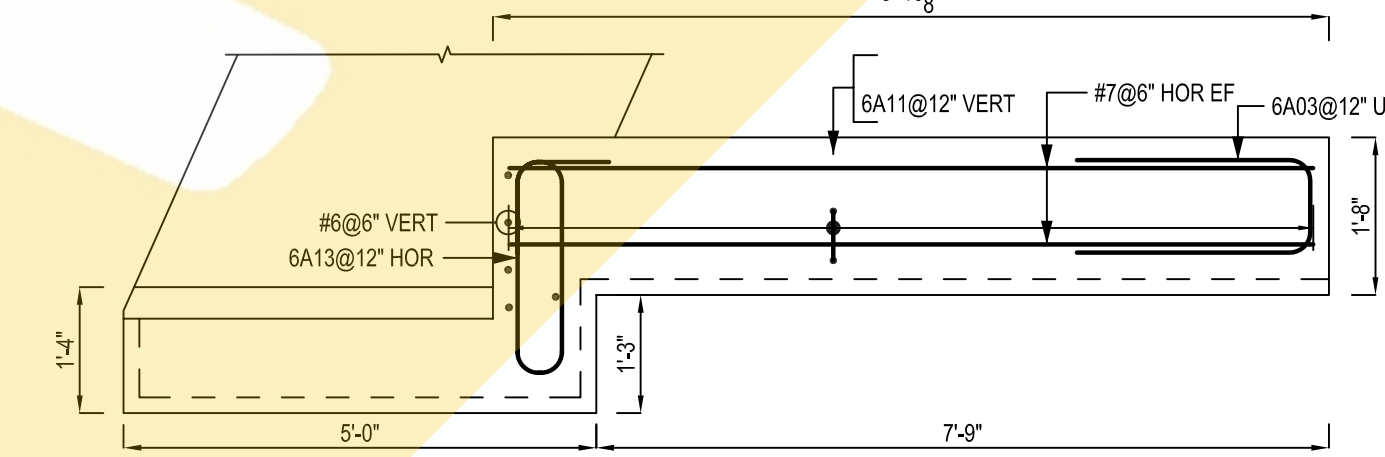
PLAN VIEW H-H
SCALE: 1/2"=1'-0"
SDR: D&E/S-12



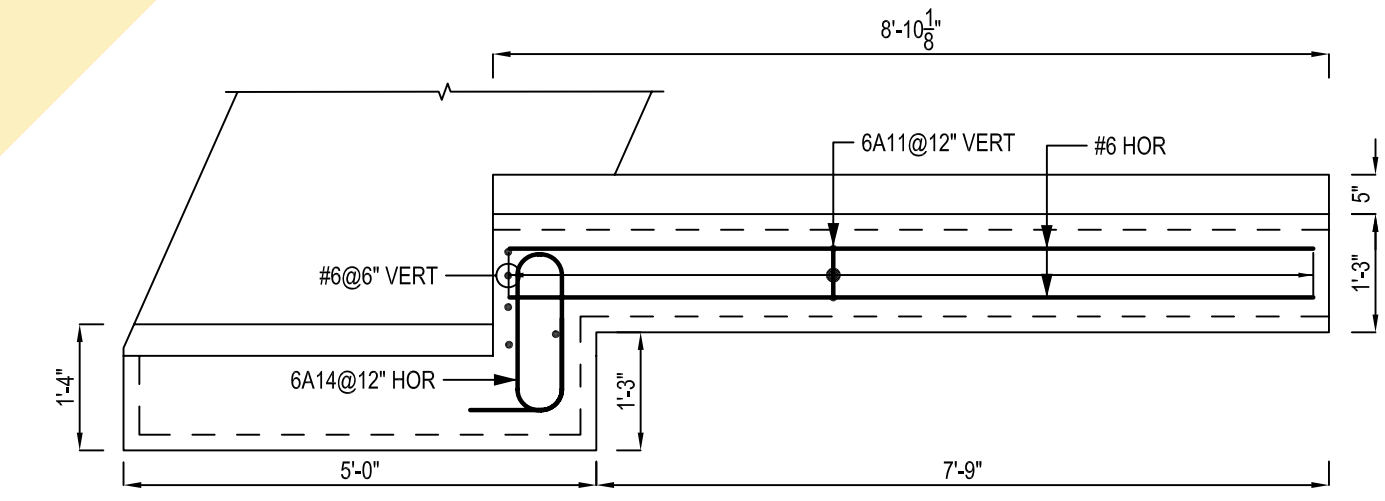
ELEVATION F
SCALE: 1/2"=1'-0"
SDR: S-098S-12



PLAN VIEW K-K
SCALE: 1/2"=1'-0"
SDR: D&E/S-12

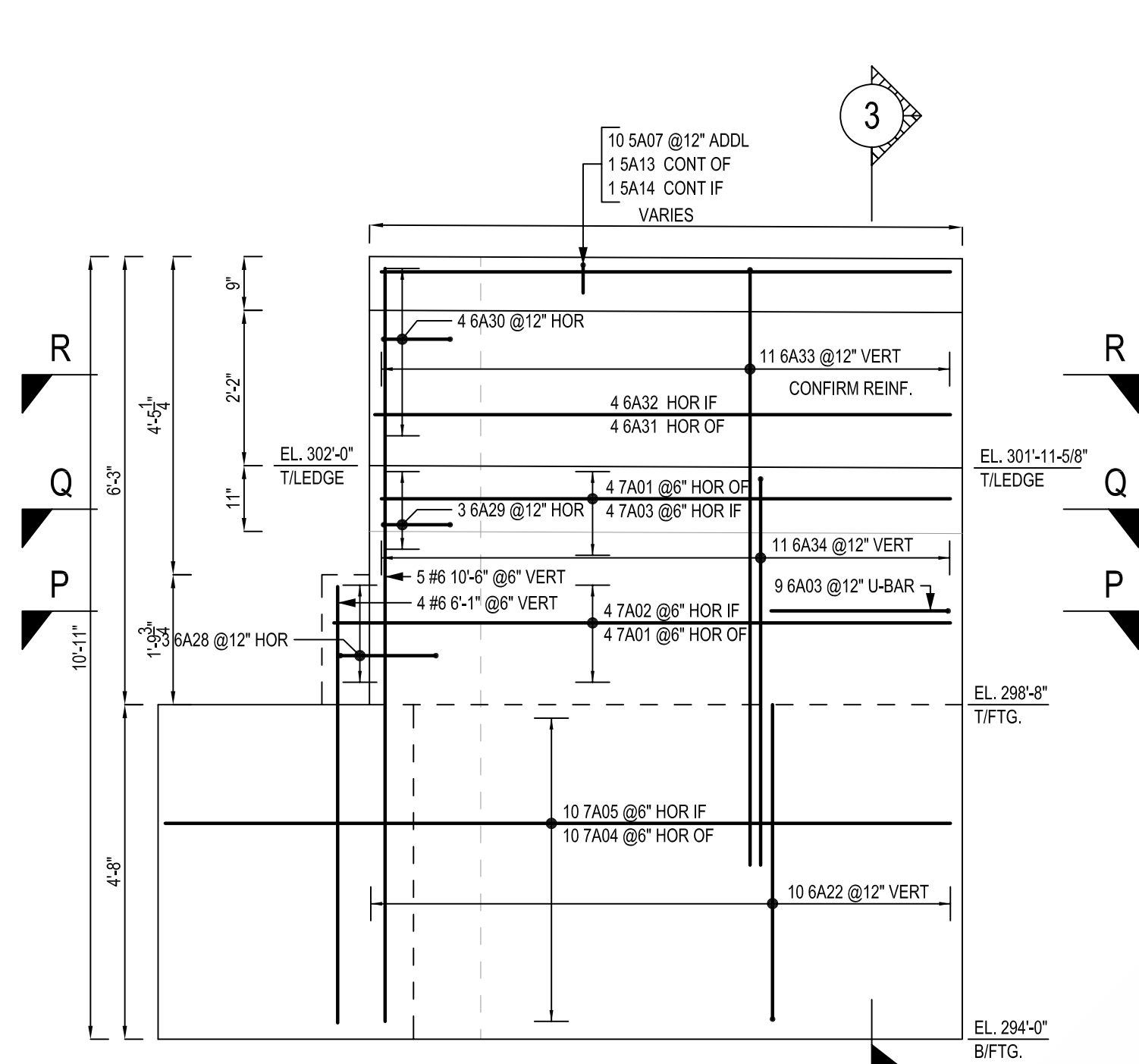


PLAN VIEW L-L
SCALE: 1/2"=1'-0"
SDR: D&E/S-12

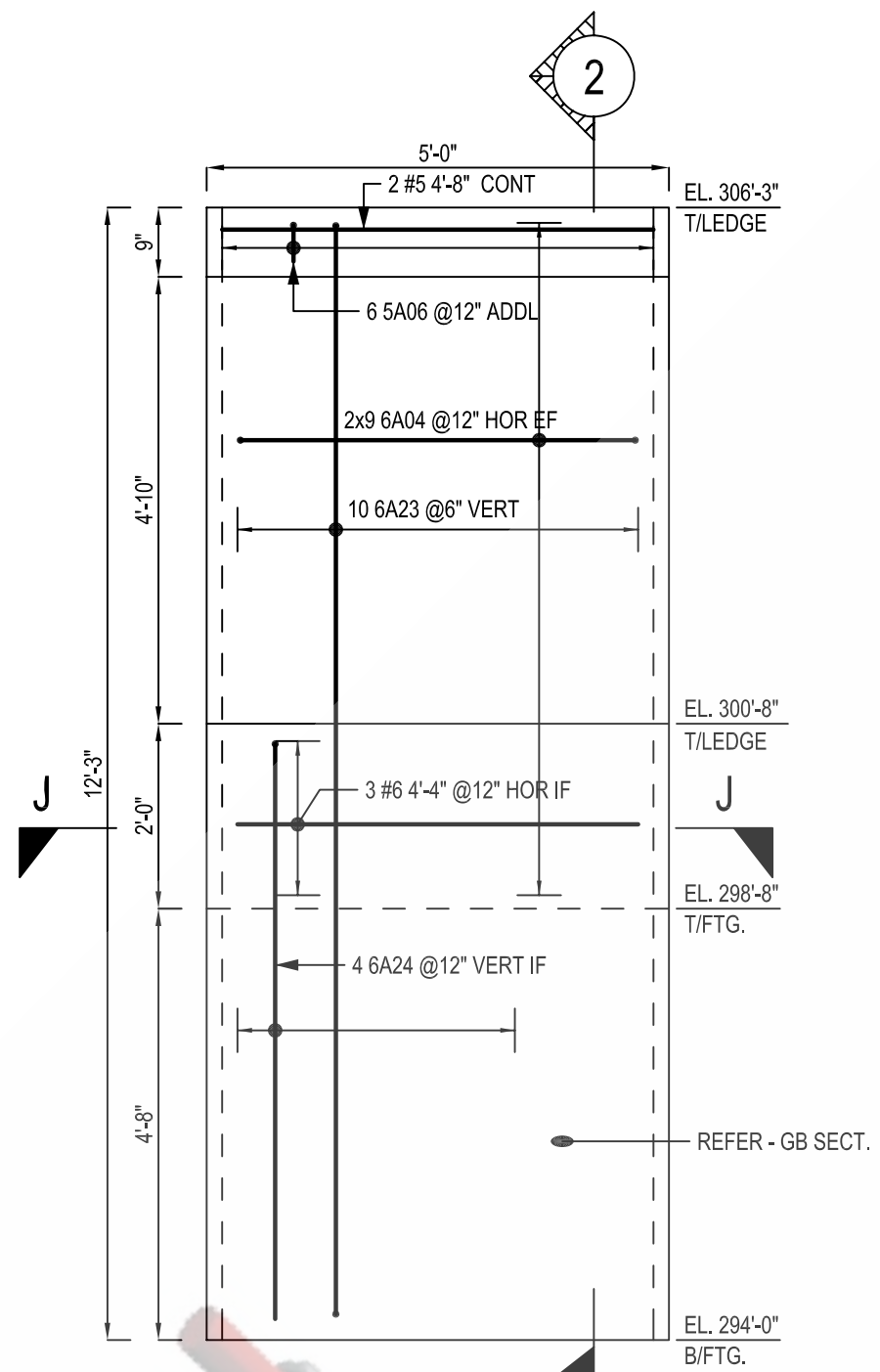


PLAN VIEW M-M
SCALE: 1/2"=1'-0"
SDR: D&E/S-12

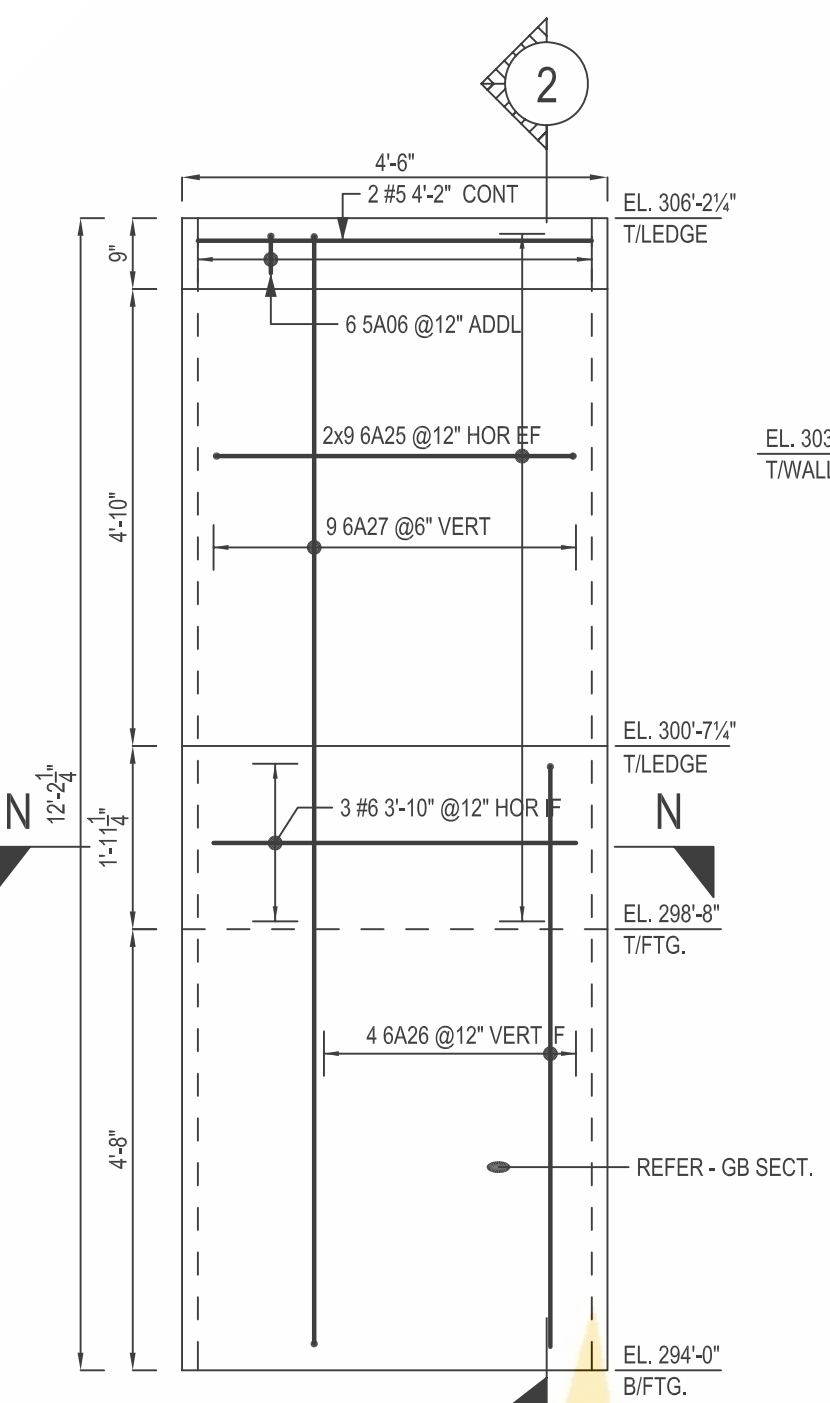
ONCE REBAR SERVICES



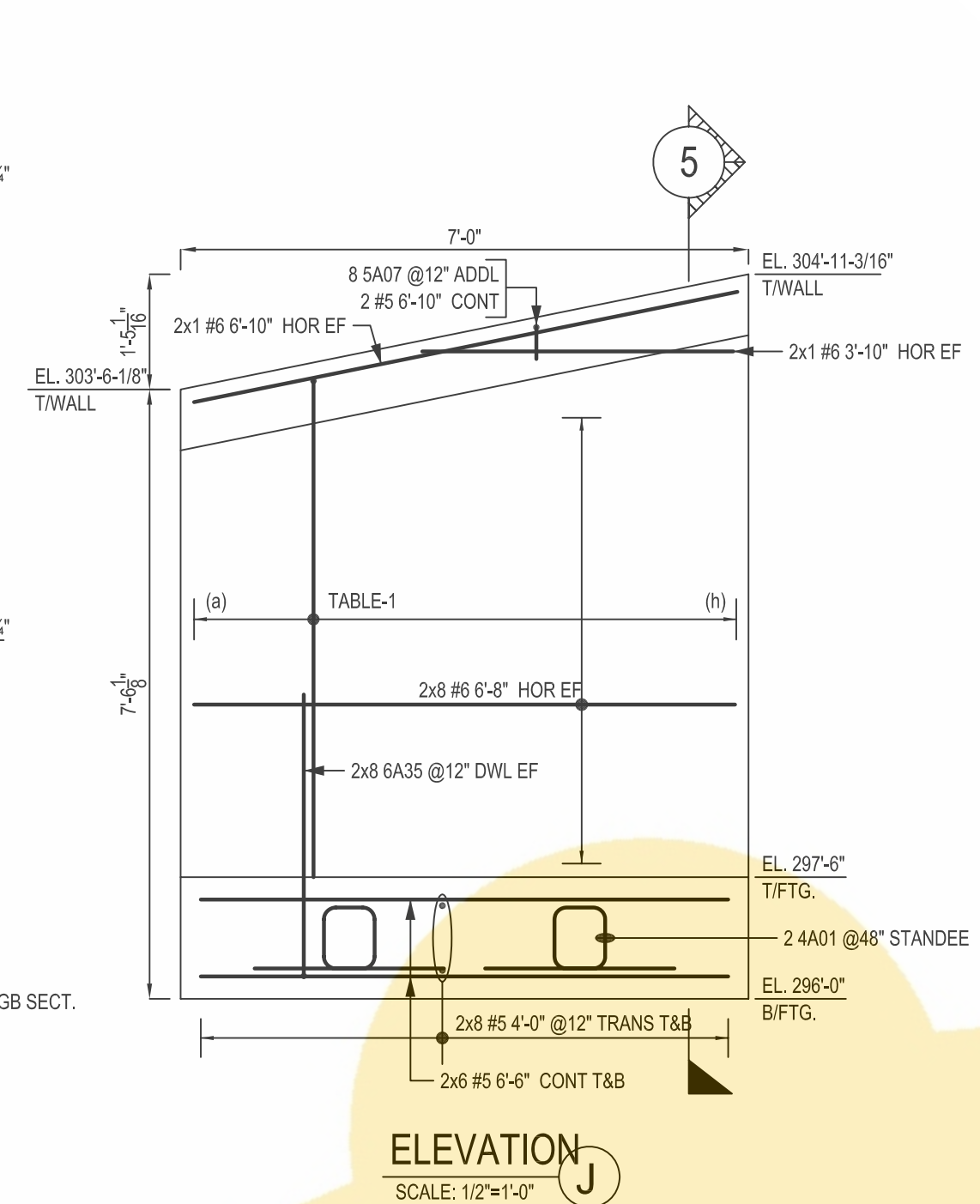
ELEVATION H
SCALE: 1/2"=1'-0"
SDR: S-09&S-12



ELEVATION E
SCALE: 1/2"=1'-0"
SDR: S-09&S-12



ELEVATION G
SCALE: 1/2"=1'-0"
SDR: S-09&S-12



ELEVATION J
SCALE: 1/2"=1'-0"
SDR: S-09&S-12

TABLE-1

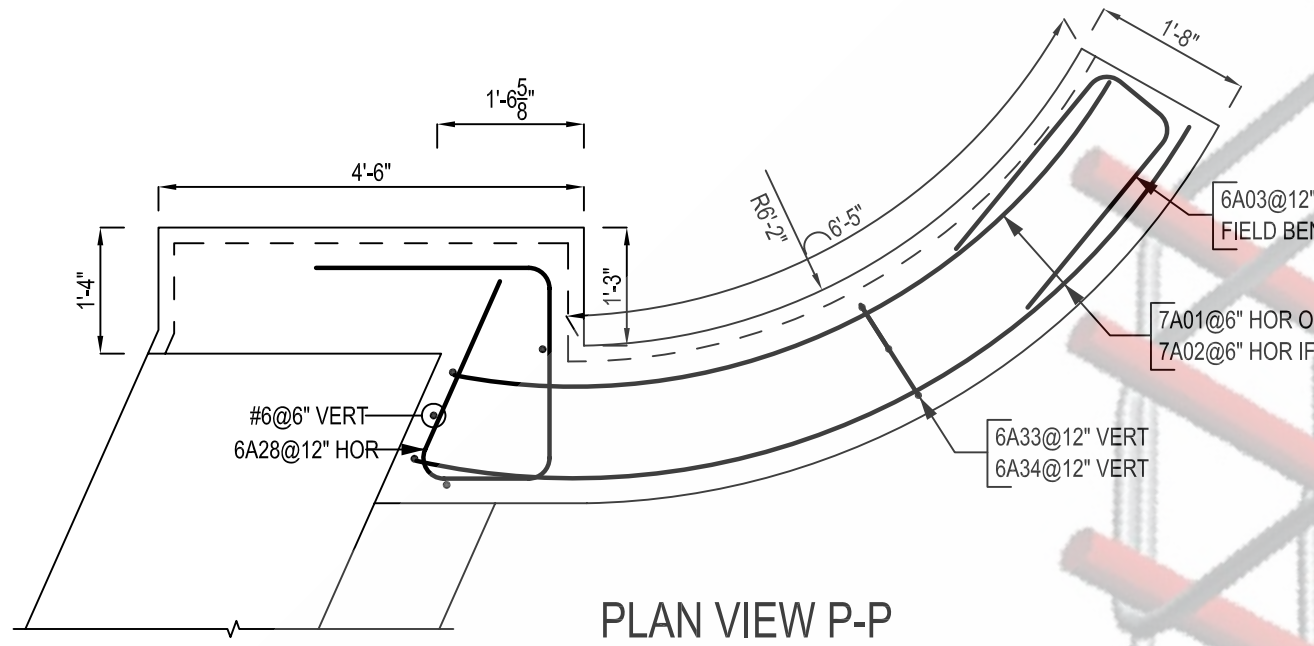
a	1 6A43 @ 12\" VERT
b	1 6A42 @ 12\" VERT
c	1 6A41 @ 12\" VERT
d	1 6A40 @ 12\" VERT
e	1 6A39 @ 12\" VERT
f	1 6A38 @ 12\" VERT
g	1 6A37 @ 12\" VERT
h	1 6A36 @ 12\" VERT

TABLE-2 (2 LOC)

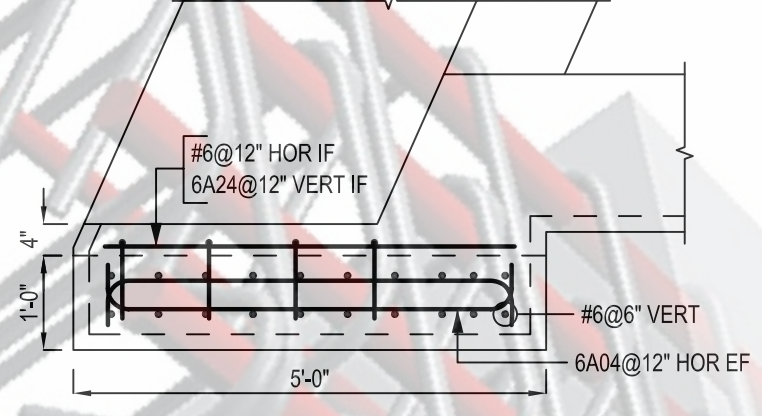
a	2x1 5A23 @ 9\" SW
b	2x1 5A22 @ 9\" SW
c	2x1 5A21 @ 9\" SW
d	2x1 5A20 @ 9\" SW
e	2x1 5A19 @ 9\" SW
f	2x1 5A18 @ 9\" SW

TABLE-3 (4 LOC)

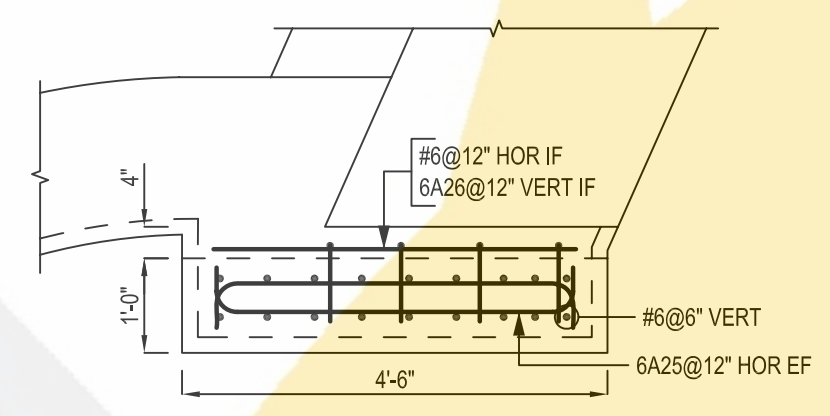
a	4x1 6A58 @ 12\" VERT
b	4x1 6A57 @ 12\" VERT
c	4x1 6A56 @ 12\" VERT
d	4x1 6A55 @ 12\" VERT
e	4x1 6A54 @ 12\" VERT
f	4x1 6A53 @ 12\" VERT
g	4x1 6A52 @ 12\" VERT
h	4x1 6A51 @ 12\" VERT
i	4x1 6A50 @ 12\" VERT
j	4x1 6A49 @ 12\" VERT
k	4x1 6A48 @ 12\" VERT
l	4x1 6A47 @ 12\" VERT
m	4x1 6A46 @ 12\" VERT
n	4x1 6A45 @ 12\" VERT



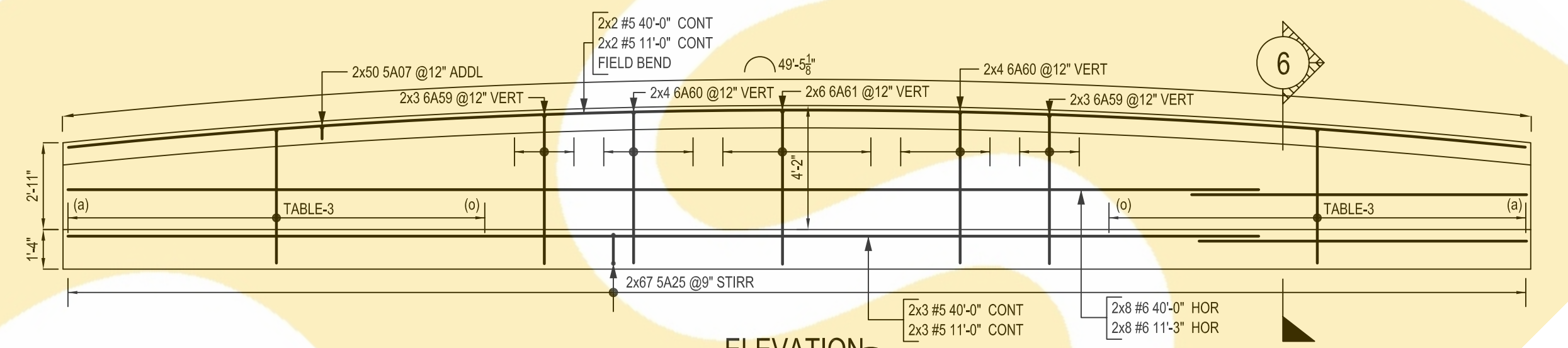
PLAN VIEW P-P
SCALE: 1/2"=1'-0"
SDR: D&E/S-12



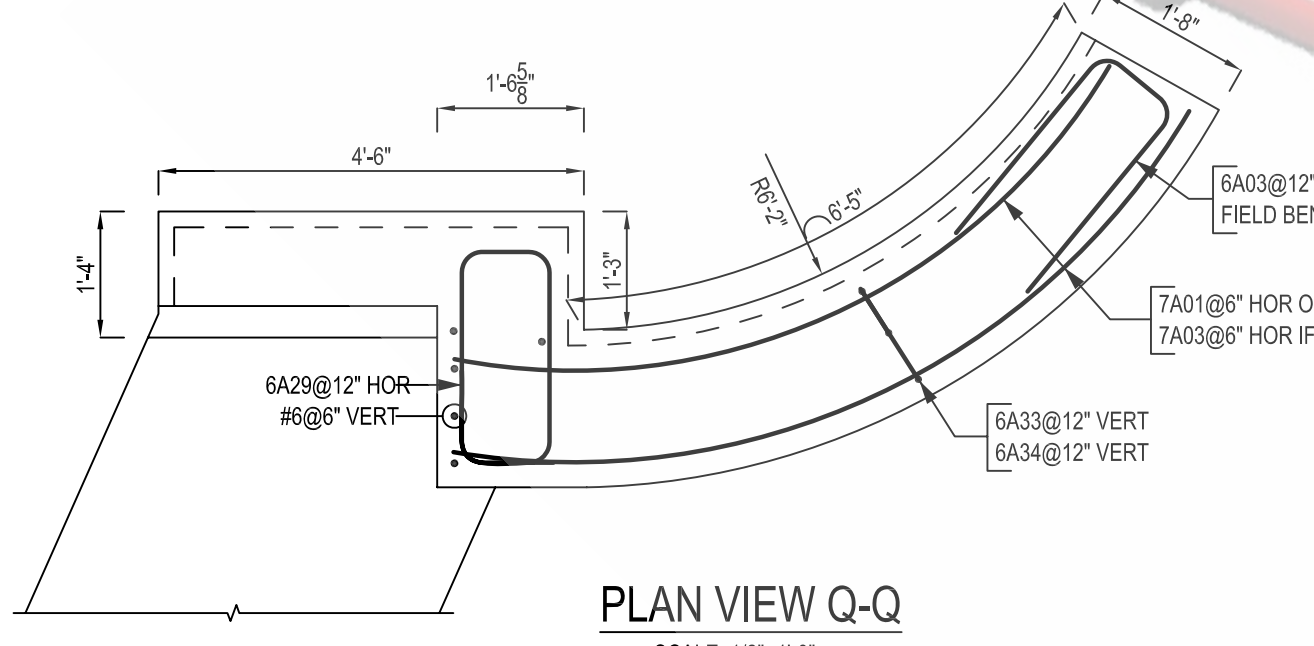
PLAN VIEW J-J
SCALE: 1/2"=1'-0"
SDR: D&E/S-12



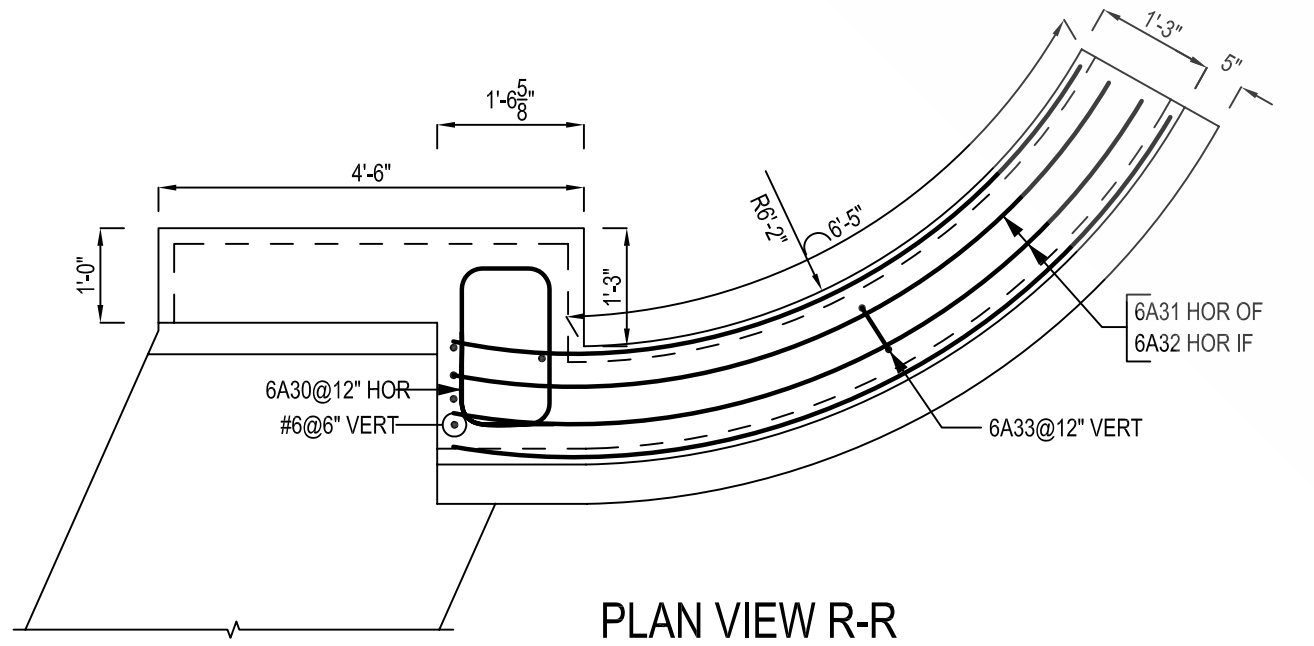
PLAN VIEW N-N
SCALE: 1/2"=1'-0"
SDR: D&E/S-12



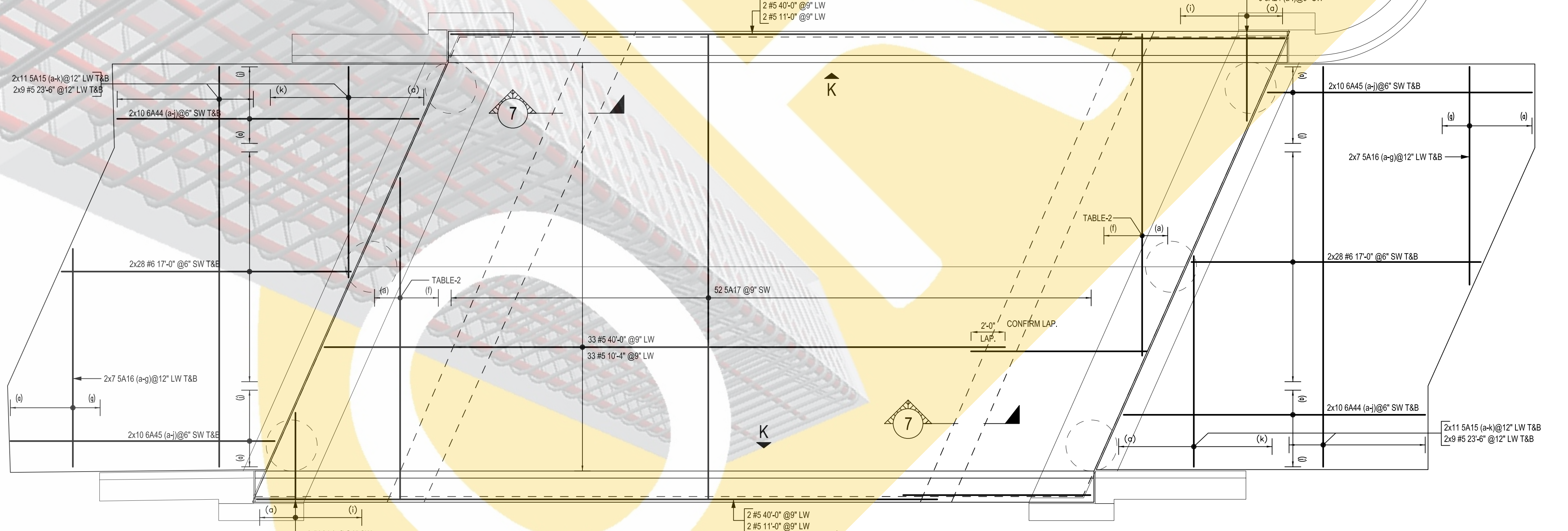
ELEVATION K
SCALE: 1/4"=1'-0"
SDR: S-17 (2 LOC)



PLAN VIEW Q-Q
SCALE: 1/2"=1'-0"
SDR: D&E/S-12



PLAN VIEW R-R
SCALE: 1/2"=1'-0"
SDR: D&E/S-12



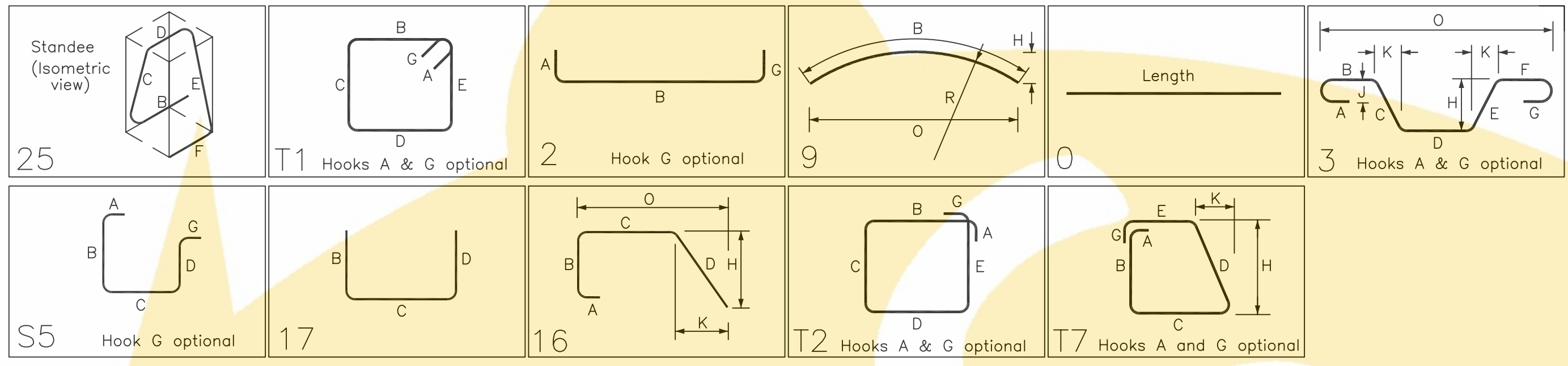
SLAB REBAR LAYOUT
SCALE: 1/4"=1'-0"
SDR: S-01

ONCE REBAR SERVICES

ONCE REBAR SERVICES

Release Number: R1.01-R1.04																
BENDING DETAILS																
Bar Mark	Qty	Size	Total Length	Type	'A'	'B'	'C'	'D'	'E'	'F'	'G'	'H'	'J'	'K'	'O'	'R'
4A01	2	#4	5'-3 1/2"	T5		1'-6"	0'-9 3/4"	0'-8"	0'-9 3/4"	1'-6"		0'-9 3/4"		0'-4 3/4"		
5A01	66	#5	13'-3 3/4"	T1	0'-5 3/4"	2'-0 3/4"	4'-1 3/4"	2'-0 3/4"	4'-1 3/4"		0'-5 3/4"					
5A02	1	#5	14'-2"	T1	0'-5 3/4"	2'-6"	4'-1 3/4"	2'-6"	4'-1 3/4"		0'-5 3/4"					
5A03	1	#5	14'-6"	T1	0'-5 3/4"	2'-8"	4'-1 3/4"	2'-8"	4'-1 3/4"		0'-5 3/4"					
5A04	1	#5	13'-4"	T1	0'-5 3/4"	2'-1"	4'-1 3/4"	2'-1"	4'-1 3/4"		0'-5 3/4"					
5A05	1	#5	13'-10"	T1	0'-5 3/4"	2'-4"	4'-1 3/4"	2'-4"	4'-1 3/4"		0'-5 3/4"					
5A06	24	#5	1'-10"	2	0'-5"	1'-0"					0'-5"					
5A07	148	#5	2'-1"	2	0'-5"	1'-3"					0'-5"					
5A08	1	#5	12'-9"	T1	0'-5 3/4"	2'-0"	3'-11"	2'-0"	3'-11"		0'-5 3/4"					
5A09	64	#5	12'-10 3/4"	T1	0'-5 3/4"	2'-0 3/4"	3'-11"	2'-0 3/4"	3'-11"		0'-5 3/4"					
5A10	1	#5	14'-1"	T1	0'-5 3/4"	2'-8"	3'-11"	2'-8"	3'-11"		0'-5 3/4"					
5A11	1	#5	13'-5"	T1	0'-5 3/4"	2'-4"	3'-11"	2'-4"	3'-11"		0'-5 3/4"					
5A12	1	#5	12'-11"	T1	0'-5 3/4"	2'-1"	3'-11"	2'-1"	3'-11"		0'-5 3/4"					
5A13	1	#5	7'-9"	9		7'-9"						1'-2 3/4"		7'-3 3/4"	6'-3 3/4"	
5A14	1	#5	8'-10 3/4"	9		8'-10 3/4"						1'-4"		8'-4 3/4"	7'-4 3/4"	
5A15a	4	#5	2'-5"			2'-5"										
Varies To																
5A15k	4	#5	22'-7"			22'-7"										
5A16a	4	#5	4'-8"			4'-8"										
Varies To																
5A16g	4	#5	16'-6"			16'-6"										
5A17	52	#5	27'-3 3/4"	3		13'-8"	13'-7 3/4"					0'-10 3/4"	13'-7 3/4"	27'-3 3/4"		
5A18	2	#5	23'-11 3/4"	3		10'-3 3/4"	13'-8"					0'-10 3/4"	13'-7 3/4"	23'-11 3/4"		
5A19	2	#5	22'-3 3/4"	3		8'-7 3/4"	13'-8"					0'-10 3/4"	13'-7 3/4"	22'-3 3/4"		
5A20	2	#5	20'-7"	3		6'-11"	13'-8"					0'-10 3/4"	13'-7 3/4"	20'-6 3/4"		
5A21	2	#5	18'-10 3/4"	3		5'-2 3/4"	13'-8"					0'-10 3/4"	13'-7 3/4"	18'-10 3/4"		
5A22	2	#5	17'-2 3/4"	3		3'-6 3/4"	13'-8"					0'-10 3/4"	13'-7 3/4"	17'-2 3/4"		
5A23	2	#5	15'-6 3/4"	3		1'-10 3/4"	13'-8"					0'-10 3/4"	13'-7 3/4"	15'-6"		
5A24a	2	#5	0'-5"			0'-5"										
Varies To																
5A24i	2	#5	13'-10"			13'-10"										
5A25	134	#5	6'-0"	SS	0'-6"	1'-0"	1'-6"	1'-0"			2'-0"					
5A26	84	#5	2'-11"	17		1'-6"	1'-5"									
5A27	6	#5	4'-1 3/4"	3		2'-1"	2'-0 3/4"					0'-7 3/4"	1'-11 3/4"	4'-0 3/4"		
6A01	6	#6	8'-10"	17		2'-4"	4'-2"	2'-4"								
6A02	12	#6	9'-6 3/4"	16	2'-4"	4'-2"	0'-6 3/4"	2'-5 3/4"				1'-0 3/4"	2'-3"	2'-9 3/4"		
6A03	36	#6	6'-0 3/4"	17		2'-6"	1'-0 3/4"	2'-6"								
6A04	54	#6	5'-4"	17		0'-6"	4'-4"	0'-6"								
6A05	2	#6	9'-6 3/4"	T2	1'-0"	2'-3 3/4"	1'-5 3/4"	2'-3 3/4"	1'-5 3/4"		1'-0"					
6A06	3	#6	8'-8 3/4"	T2	2'-6"	2'-3 3/4"	1'-10 3/4"	2'-2 3/4"	2'-2 3/4"		2'-2"		0'-10 3/4"			
6A07	10	#6	27'-0"	T2	1'-0"	0'-6"	12'-0"	0'-6"	12'-0"		1'-0"					
6A08	4	#6	7'-3"	2	0'-10"	6'-5"										
6A09	18	#6	10'-5"	17		4'-7 3/4"	1'-2"	4'-7 3/4"								
6A10	20	#6	6'-8"	17		5'-6"	1'-2"									
6A11	20	#6	14'-0"	17		8'-5"	0'-7"	5'-0"								
6A12	6	#6	7'-7 3/4"	16	2'-6"	2'-3 3/4"	0'-7"	2'-3 3/4"	2'-3 3/4"		2'-1"		0'-10 3/4"	1'-5 3/4"		
6A13	5	#6	7'-7 3/4"	T2	1'-0"	0'-6 3/4"	2'-3 3/4"	0'-6 3/4"	2'-3 3/4"		1'-0"					
6A14	8	#6	6'-5 3/4"	T2	1'-0"	0'-6 3/4"	1'-8 3/4"	0'-6 3/4"	1'-8 3/4"		1'-0"					
6A15	54	#6	5'-2"	2	1'-0"	4'-2"										
6A16	10	#6	27'-1 3/4"	T2	1'-0"	0'-6"	12'-0 3/4"	0'-6"	12'-0 3/4"		1'-0"					
6A17	4	#6	7'-4"	2	0'-10"	6'-6"										
6A18	4	#6	8'-4 3/4"	T2	1'-0"	1'-8 3/4"	1'-5 3/4"	1'-8 3/4"	1'-5 3/4"		1'-0"					
6A19	10	#6	6'-9"	17		5'-7"	1'-2"									
6A20	10	#6	14'-1"	17		8'-6"	0'-7"	5'-0"								
6A21	6	#6	8'-4"	17		2'-4"	3'-8"	2'-4"								
6A22	19	#6	10'-0"	17		4'-5"	1'-2"	4'-5"								
6A23	10	#6	26'-8"	T2	1'-0"	0'-6"	11'-10"	0'-6"	11'-10"		1'-0"					
6A24	4	#6	7'-1"	2	0'-10"	6'-3"										
6A25	18	#6	4'-10"	17		0'-6"	3'-10"	0'-6"								
6A26	4	#6	7'-0"	2	0'-10"	6'-2"										
6A27	9	#6	26'-6 3/4"	T2	1'-0"	0'-6"	11'-9 3/4"	0'-6"	11'-9 3/4"		1'-0"					
6A28	3	#6	8'-2 3/4"	17	2'-6"	2'-3 3/4"	1'-4 3/4"	2'-2 3/4"			2'-1 3/4"		0'-9 3/4"			
6A29	3	#6	8'-6 3/4"	T2	1'-0"	0'-11 3/4"	2'-3 3/4"	0'-11 3/4"	2'-3 3/4"		1'-0"					
6A30	4	#6	7'-4 3/4"	T2	1'-0"	0'-11 3/4"	1'-8 3/4"	0'-11 3/4"	1'-8 3/4"		1'-0"					
6A31	4	#6	8'-1 3/4"	9		8'-1 3/4"					1'-3"		7'-7 3/4"	6'-7 3/4"		
6A32	4	#6	8'-6 3/4"	9		8'-6 3/4"					1'-3 3/4"		8'-0 3/4"	7'-0 3/4"		
6A33	11	#6	13'-11"	17		8'-4"	0'-7"	5'-0"								
6A34	11	#6	6'-7"	17		5'-5"	1'-2"									
6A35	16	#6	4'-6"	2	1'-0"	3'-6"										
6A36	1	#6	15'-1"	17		7'-3"	0'-7"	7'-3"								
6A37	1	#6	14'-9"	17		7'-1"	0'-7"	7'-1"								
6A38	1	#6	14'-3"	17		6'-10"	0'-7"	6'-10"								
6A39	1	#6	13'-11"	17		6'-8"	0'-7"	6'-8"								
6A40	1	#6	13'-7"	17		6'-6"	0'-7"	6'-6"								
6A41	1	#6	13'-1"	17		6'-3"	0'-7"	6'-3"								
6A42	1	#6	12'-9"	17		6'-1"	0'-7"	6'-1"								
6A43	1	#6	12'-3"	17		5'-10"	0'-7"	5'-10"								
6A44a	4	#6	17'-1"			17'-1"										
Varies To																
6A44j	4	#6	19'-1"			19'-1"										
6A45a	4	#6	14'-10"			14'-10"										
Varies To																
6A45j	4	#6	16'-10"			16'-10"										
6A46	4	#6	10'-5"	17		4'-11"	0'-7"	4'-11"								
6A47	8	#6	10'-3"	17		4'-10"	0'-7"	4'-10"								
6A48	8	#6	10'-1"	17		4'-9"	0'-7"	4'-9"								

Release Number: R1.01-R1.04																
BENDING DETAILS																
Bar Mark	Qty	Size	Total Length	Type	'A'	'B'	'C'	'D'	'E'	'F'	'G'	'H'	'J'	'K'	'O'	'R'
6A49	4	#6	9'-11"	17		4'-8"	0'-7"	4'-8"								
6A50	4	#6	9'-9"	17		4'-7"	0'-7"	4'-7"								
6A51	4	#6	9'-7"	17		4'-6"	0'-7"	4'-6"								
6A52	4	#6	9'-5"	17		4'-5"	0'-7"	4'-5"								
6A53	4	#6	9'-3"	17		4'-4"	0'-7"	4'-4"								
6A54	4	#6	9'-1"	17		4'-3"	0'-7"	4'-3"								
6A55	4	#6	8'-11"	17		4'-2"	0'-7"	4'-2"								
6A56	4	#6	8'-9"	17		4'-1"	0'-7"	4'-1"								
6A57	4	#6	8'-7"	17		4'-0"	0'-7"	4'-0"								
6A58	4	#6	8'-5"	17		3'-11"	0'-7"	3'-11"								
6A59	12	#6	10'-7"	17		5'-0"	0'-7"	5'-0"								
6A60	16	#6	10'-9"	17		5'-1"	0'-7"	5'-1"								
6A61	12	#6	10'-11"	17		5'-2"	0'-7"	5'-2"								
6A62	6	#6	4'-11 3/4"	3		2'-6"	2'-5 3/4"					0'-9 3/4"	2'-4 3/4"	4'-10 3/4"		
7A01	8	#7	8'-1 3/4"	9		8'-1 3/4"							1'-3"	7'-7 3/4"	6'-7 3/4"	
7A02	4	#7	9'-6 3/4"	9		9'-6 3/4"							1'-6"	8'-11 3/4"	7'-7 3/4"	
7A03	4	#7	9'-1 3/4"	9		9'-1 3/4"							1'-4 3/4"	8'-7 3/4"	7'-7 3/4"	
7A04	10	#7	10'-9 3/4"	9		10'-9 3/4"							2'-1 3/4"	9'-7 3/4"	6'-7 3/4"	
7A05	10	#7	12'-2 3/4"	9		12'-2 3/4"							2'-4 3/4"	10'-11 3/4"	7'-7 3/4"	



Release Number: THREADED																
BENDING DETAILS																
Bar Mark	Qty	Size	Total Length	Type	'A'	'B'	'C'	'D'	'E'	'F'	'G'	'H'	'J'	'K'	'O'	'R'
6A63	100	#														